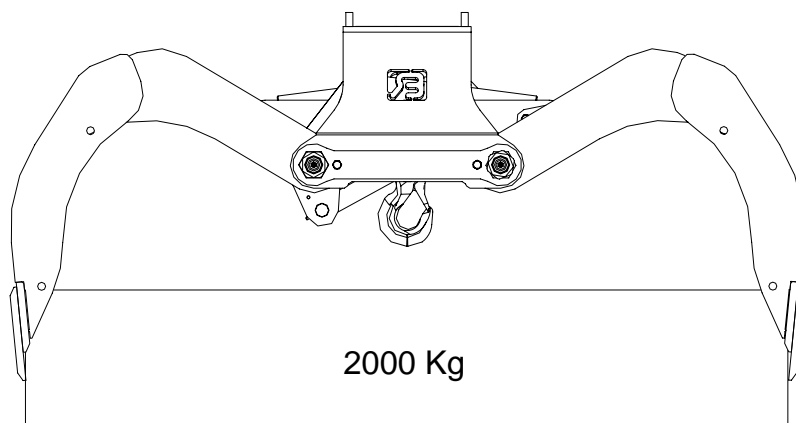




BDVEDZ Grab bucket

TECHNICAL DATA:

Grab type	:	BDVEDZ		
Width	:	<input type="checkbox"/> 80cm	<input type="checkbox"/> 90 cm	<input type="checkbox"/> 100 cm
Capacity	:	<input type="checkbox"/> 355 Ltr	<input type="checkbox"/> 400 Ltr	<input type="checkbox"/> 445 Ltr
Weight	:	<input type="checkbox"/> 450 kg	<input type="checkbox"/> 465 kg	<input type="checkbox"/> 475 kg
Max. working pressure	:	200 Bar		
Press strength	:	30 kN.		
Max. hoisting load	:			

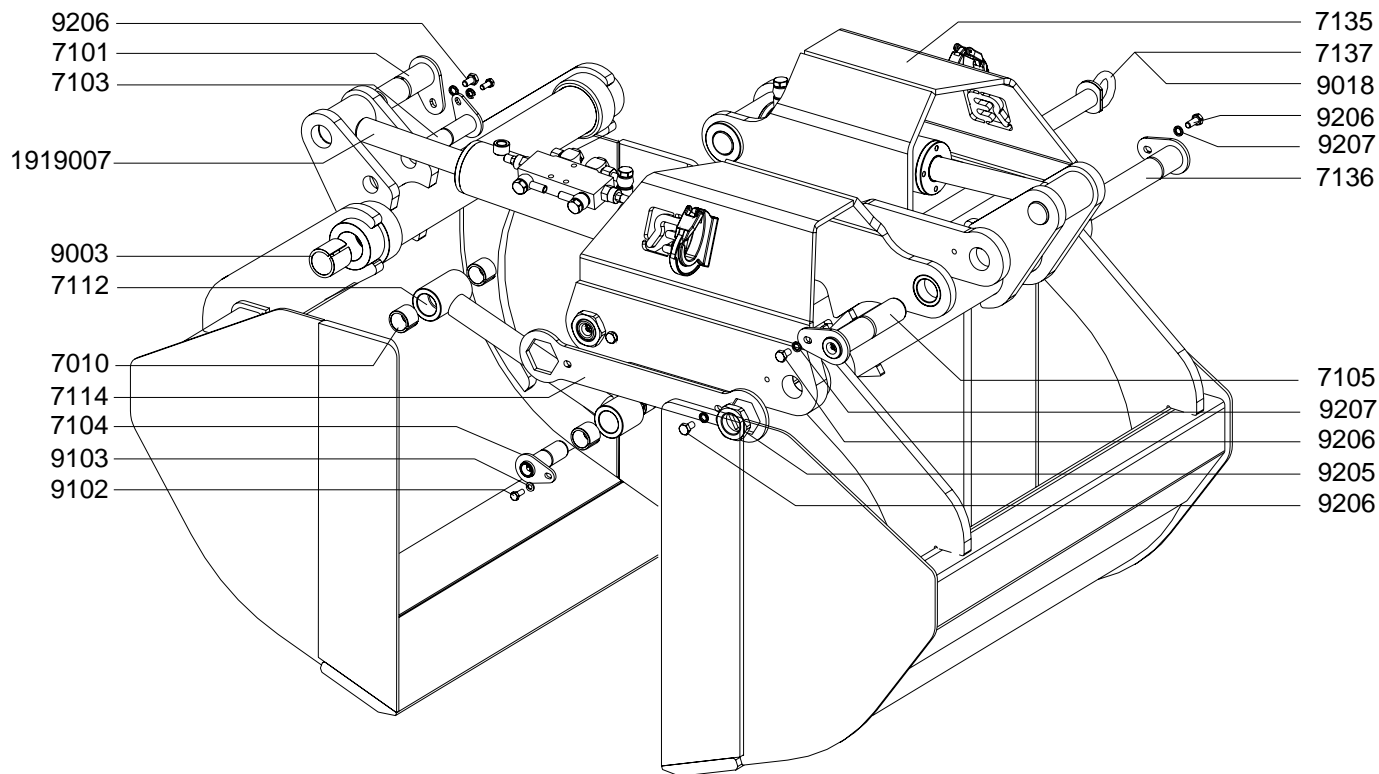


Maximum oil flow in non-return valve: **80 ltr./min.**

BAKKER HYDRAULIC b.v.
 Nijverheidsweg 6 6662 NG Elst
 The Netherlands
 Tel: + 31-481-374757
 Fax: + 31-481-375280



BDVEDZ



PART NO	QUANTITY	SPECIFICATION
---------	----------	---------------

BDVEDZ-7010	4	SPLIT BUSH
BDVEDZ-7101	2	SHAFT
BDVEDZ-7103	1	PIN
BDVEDZ-7104	1	PIN
BDVEDZ-7105	2	SHAFT
BDVEDZ-7112	1	STEADY LINK
BDVEDZ-7114	1	LOCKING SPANNER
BDVEDZ-7135	1	SADDLE PLATE
BDVEDZ-7136	2	SHAFT
BDVEDZ-7137	1	SUSPENSION PIN
BDVEDZ-9003	4	SPLIT BUSH
BDVEDZ-9018	1	HAIRPIN SPRING
BDVEDZ-9102	2	BOLT
BDVEDZ-9103	2	WASHER
BDVEDZ-9205	2	NUT
BDVEDZ-9206	8	BOLT
BDVEDZ-9207	8	SPRING WASHER
BDVEDZ-1919007	2	CYLINDER