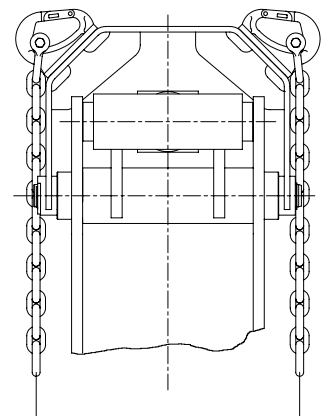
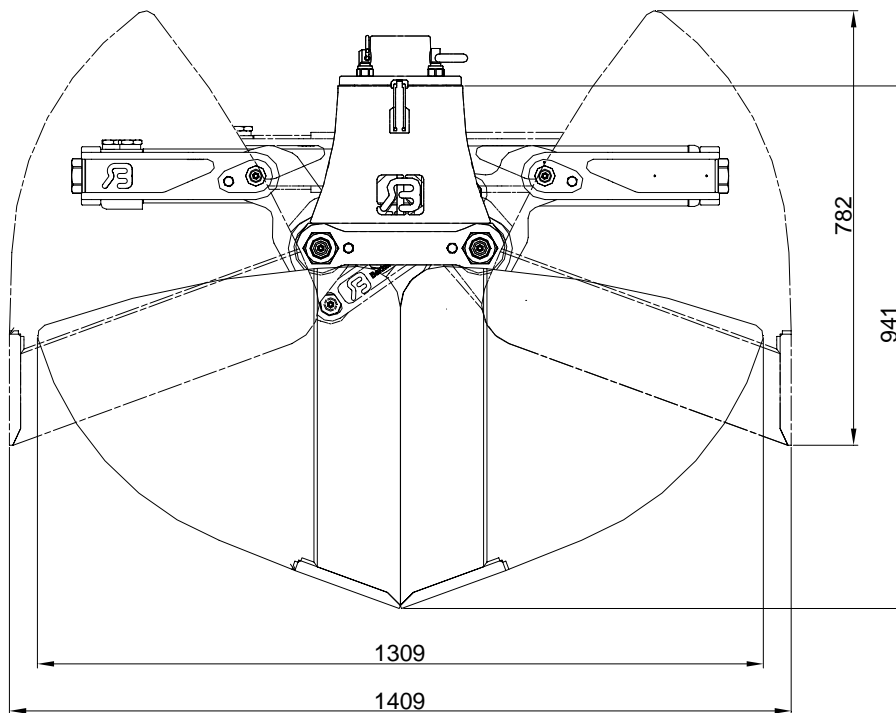




KB

TECHNICAL DATA:

- Grab type : **KB**
- Width : 55 cm 80 cm 100 cm
 65 cm 90 cm 120 cm
- Capacity : 300 L 430 L 540 L
 350 L 490 L 650 L
- Weight : 340 kg 375 kg 410 kg
 355 kg 395 kg 440 kg
- Max. working pressure : **250 Bar**
- Press strength : **25kN.**
- Max. hoisting load : **1.25 Ton ***
- Maximum oil flow in non-return valve: **80 L/min.**

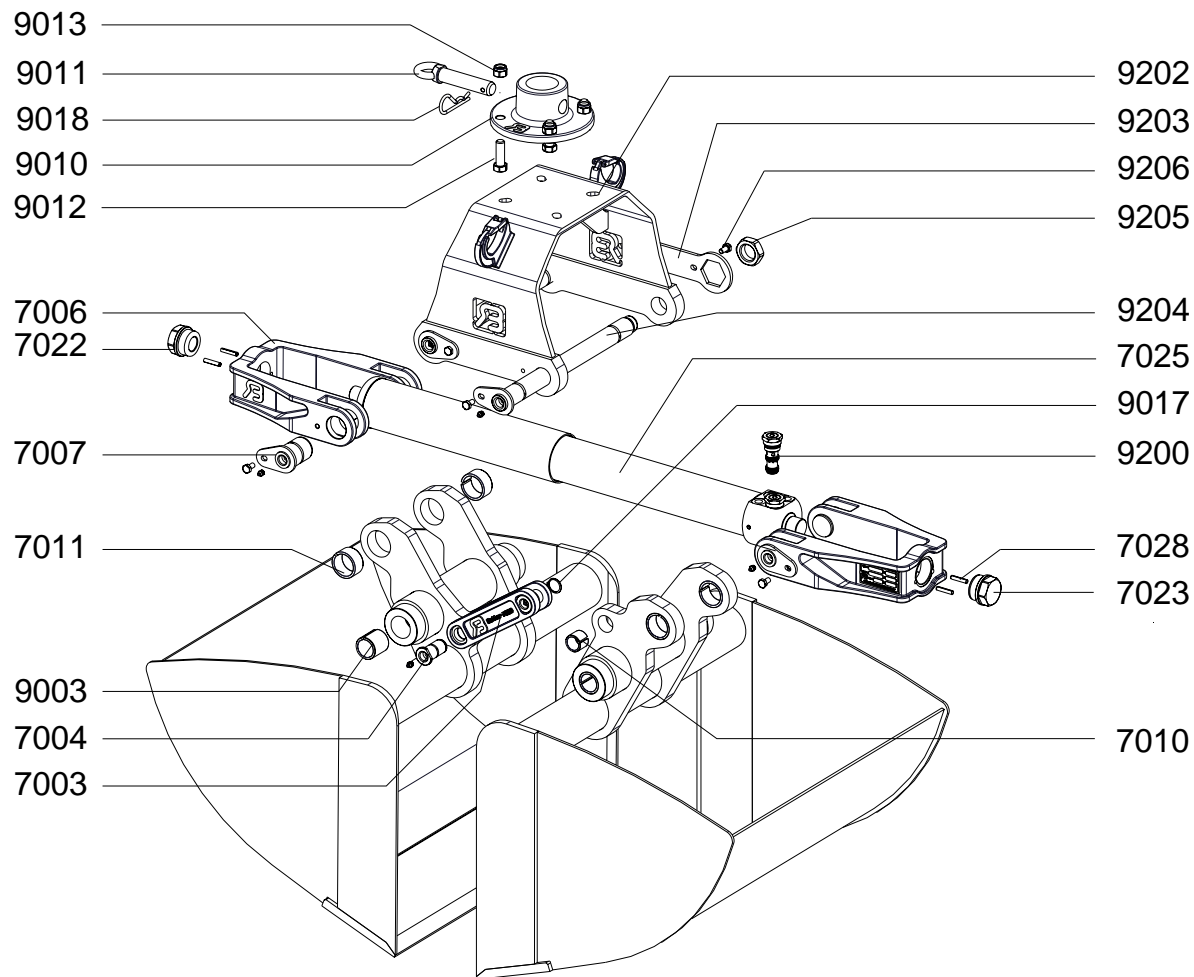


4. T



KB 55-65-80

SPARE PARTS



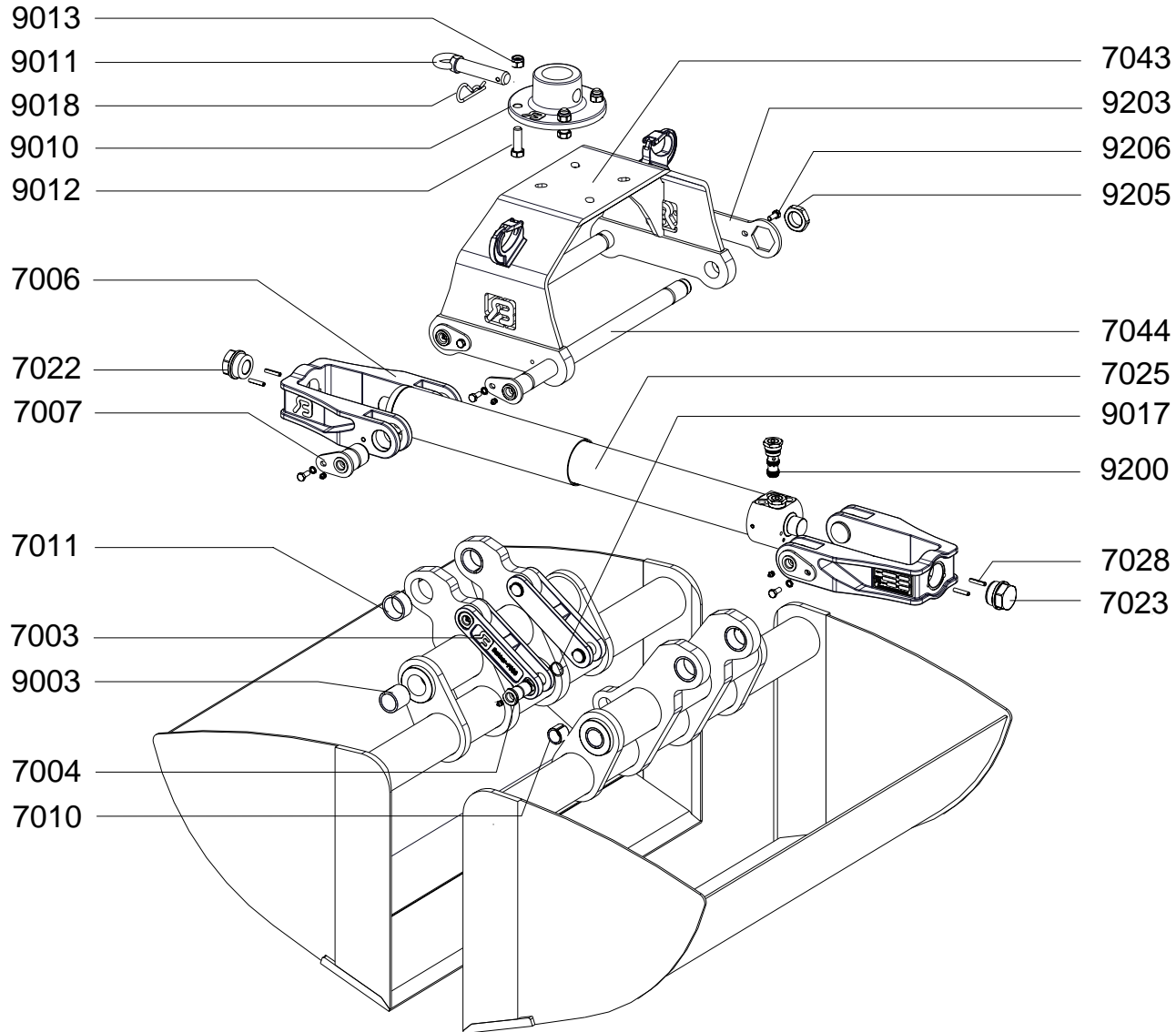
PART NR	QUANTITY	SPECIFICATION
---------	----------	---------------

KB-7003	1	STEADY LINK
KB-7004	2	PIN
KB-7006	2	YOKE
KB-7007	4	PIN
KB-7010	2	SPLIT BUSH
KB-7011	4	SPLIT BUSH
KB-7022	1	NUT
KB-7023	1	NUT
KB-7025	1	CYLINDER
KB-7028	2	ROLL PIN
KB-9003	4	SPLIT BUSH
KB-9010	1	SUSPENSION PLATE
KB-9011	1	SUSPENSION PIN
KB-9012	4	BOLT
KB-9013	4	NUT
KB-9017	2	CIRCLIP Ø 30 MM
KB-9018	1	HAIRPIN SPRING
KB-9200	2	NON RETURN VALVE
KB-9202	1	SADDLE PLATE
KB-9203	1	LOCKING SPANNER
KB-9204	2	SHAFT
KB-9205	2	NUT
KB-9206	4	BOLT



KB 90-100-120

SPARE PARTS



PART NR	QUANTITY	SPECIFICATION
KB-7003	1	STEADY LINK
KB-7004	2	PIN
KB-7006	2	YOKE
KB-7007	4	PIN
KB-7010	2	SPLIT BUSH
KB-7011	4	SPLIT BUSH
KB-7022	1	NUT
KB-7023	1	NUT
KB-7025	1	CYLINDER
KB-7028	2	ROLL PIN
KB-7043	1	SADDLE PLATE
KB-7044	2	SHAFT
KB-9003	4	SPLIT BUSH
KB-9010	1	SUSPENSION PLATE
KB-9011	1	SUSPENSION PIN
KB-9012	4	BOLT
KB-9013	4	NUT
KB-9017	2	CIRCLIP Ø 30 MM
KB-9018	1	HAIRPIN SPRING
KB-9200	2	NON RETURN VALVE
KB-9203	1	LOCKING SPANNER
KB-9205	2	NUT
KB-9206	4	BOLT