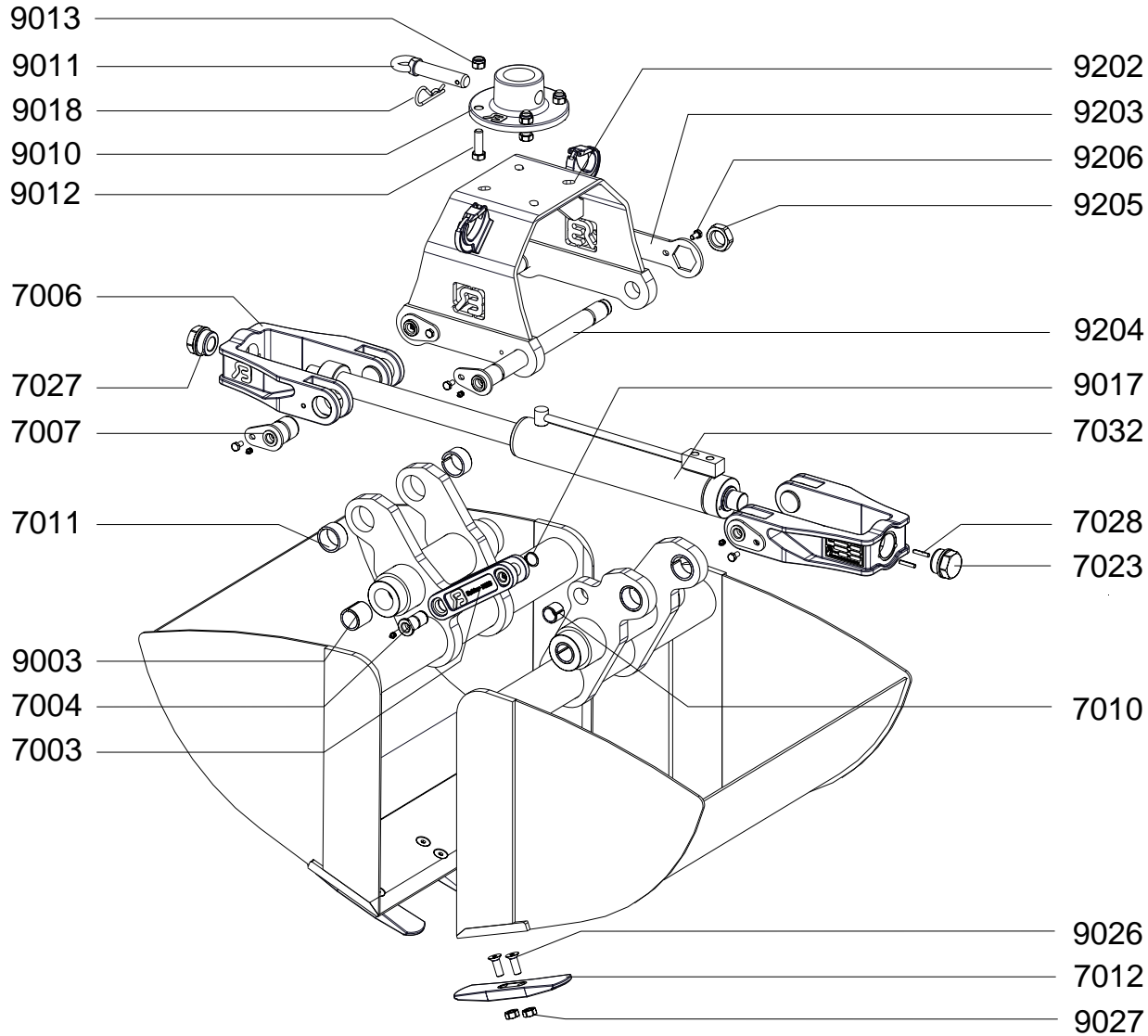






# KST 55-65-80

## SPARE PARTS



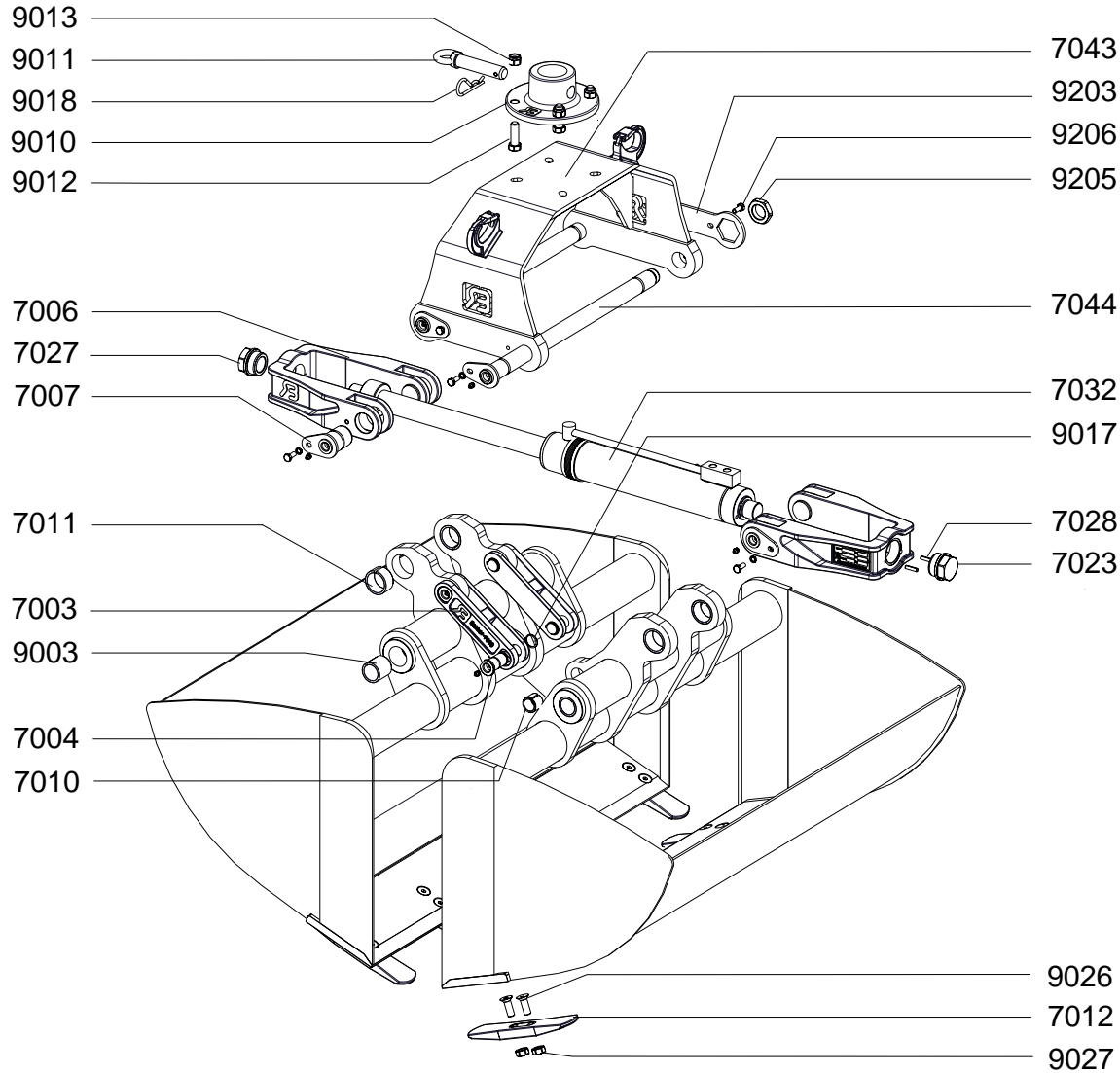
PART NR	QUANTITY	SPECIFICATION
---------	----------	---------------

KST-7003	1	STEADY LINK
KST-7004	2	PIN
KST-7006	2	YOKE
KST-7007	4	PIN
KST-7010	2	SPLIT BUSH
KST-7011	4	SPLIT BUSH
KST-7012	see chart	TOOTH
KST-7023	1	NUT
KST-7027	1	NUT
KST-7028	2	ROLL PIN
KST-7032	1	CYLINDER
KST-9003	4	SPLIT BUSH
KST-9010	1	SUSPENSION PLATE
KST-9011	1	SUSPENSION PIN
KST-9012	4	BOLT
KST-9013	4	NUT
KST-9017	2	CIRCLIP Ø 30 MM
KST-9018	1	HAIRPPIN SPRING
KST-9026	see chart	BOLT
KST-9027	see chart	NUT
KST-9202	1	SADDLE PLATE
KST-9203	1	LOCKING SPANNER
KST-9204	2	SHAFT
KST-9205	2	NUT
KST-9206	4	BOLT

Grab type	KST 55	KST 65	KST 80
Number KST-9026-9027	10	10	14
Number KST-7012	5	5	7



# KST 90-100-120



## SPARE PARTS

PART NR	QUANTITY	SPECIFICATION
KST-7003	1	STEADY LINK
KST-7004	2	PIN
KST-7006	2	YOKE
KST-7007	4	PIN
KST-7010	2	SPLIT BUSH
KST-7011	4	SPLIT BUSH
KST-7012	see chart	TOOTH
KST-7023	1	NUT
KST-7027	1	NUT
KST-7028	2	ROLL PIN
KST-7032	1	CYLINDER
KST-7043	1	SADDLE PLATE
KST-7044	2	SHAFT
KST-9003	4	SPLIT BUSH
KST-9010	1	SUSPENSION PLATE
KST-9011	1	SUSPENSION PIN
KST-9012	4	BOLT
KST-9013	4	NUT
KST-9017	2	CIRCLIP Ø 30 MM
KST-9018	1	HAIRPPIN SPRING
KST-9026	see chart	BOLT
KST-9027	see chart	NUT
KST-9203	1	LOCKING SPANNER
KST-9205	2	NUT
KST-9206	4	BOLT

Grab type	KST 90	KST 100	KST 120
Number KST-9026-9027	14	17	14
Number KST-7012	7	7	7