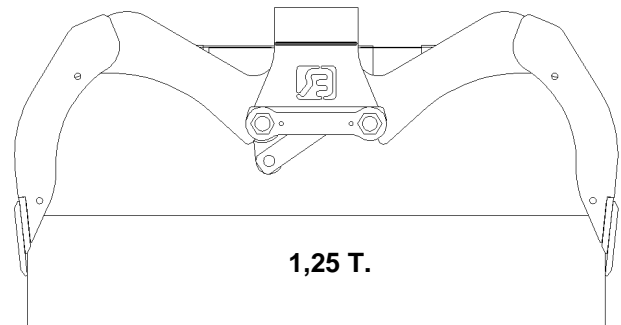




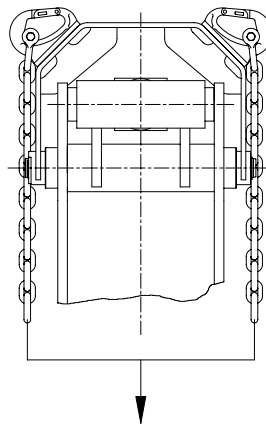
RBOM

TECHNICAL DATA:

Grab type	:	RBOM
Width	:	<input type="checkbox"/> 80 cm <input type="checkbox"/> 100 cm <input type="checkbox"/> 120 cm <input type="checkbox"/> 140 cm
Capacity	:	<input type="checkbox"/> 450 L <input type="checkbox"/> 550 L <input type="checkbox"/> 650 L <input type="checkbox"/> 750 L
Weight	:	<input type="checkbox"/> 350 kg <input type="checkbox"/> 375 kg <input type="checkbox"/> 400 kg <input type="checkbox"/> 430 kg
Max. working pressure	:	250 Bar
Press strength	:	20 kN.
Max. hoisting load	:	



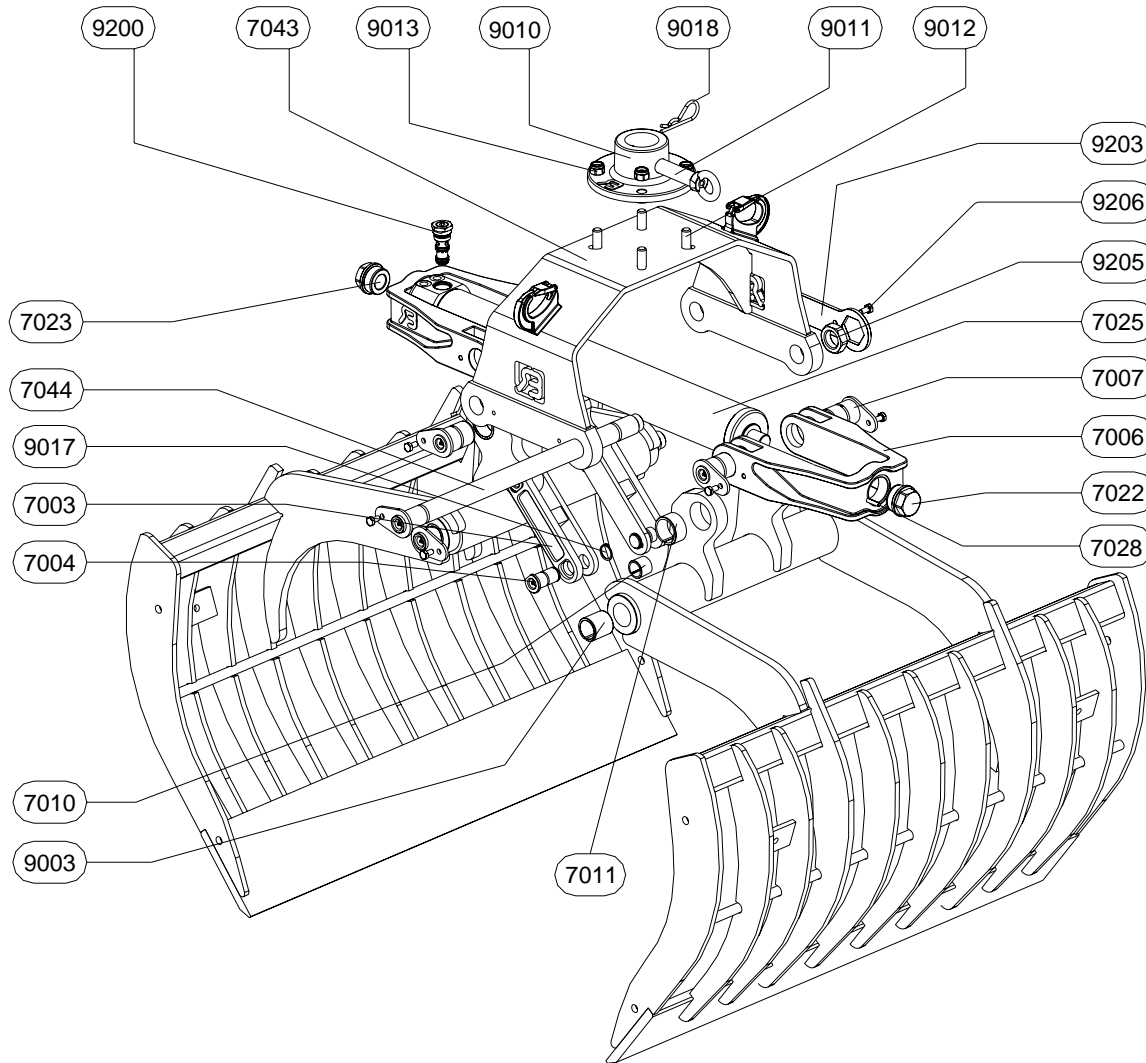
Maximum oil flow in non-return valve: **80 L/min.**





RBOM 100-120-140

SPARE PARTS



PART NO	QUANTITY	SPECIFICATION
RBOM-7003	2	STEADY LINK
RBOM-7004	4	PIN
RBOM-7006	2	YOKE
RBOM-7007	4	PIN
RBOM-7010	4	SPLIT BUSH
RBOM-7011	4	SPLIT BUSH
RBOM-7022	1	NUT
RBOM-7023	1	NUT
RBOM-7025	1	CYLINDER
RBOM-7028	2	CLAMPING PIN
RBOM-7043	1	SADDLE PLATE
RBOM-7044	2	SHAFT
RBOM-9003	4	SPLIT BUSH
RBOM-9010	1	CONNECTOR PLATE
RBOM-9011	1	CONNECTOR PIN
RBOM-9012	4	BOLT
RBOM-9013	4	NUT
RBOM-9017	4	CIRCLIP
RBOM-9018	1	HAIRPIN SPRING
RBOM-9200	2	NON RETURN VALVE
RBOM-9203	1	LOCKING SPANNER
RBOM-9205	2	NUT
RBOM-9206	4	BOLT