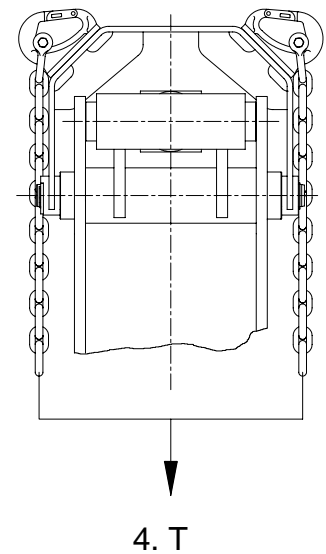
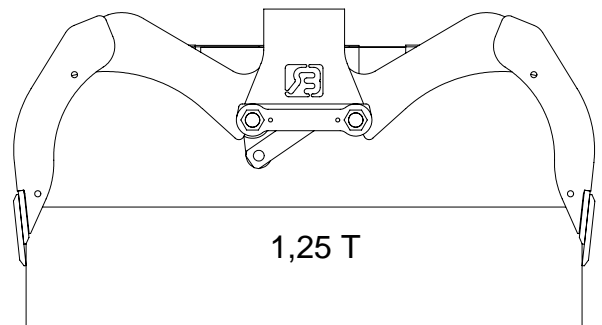




RBONA Grab

TECHNICAL DATA:

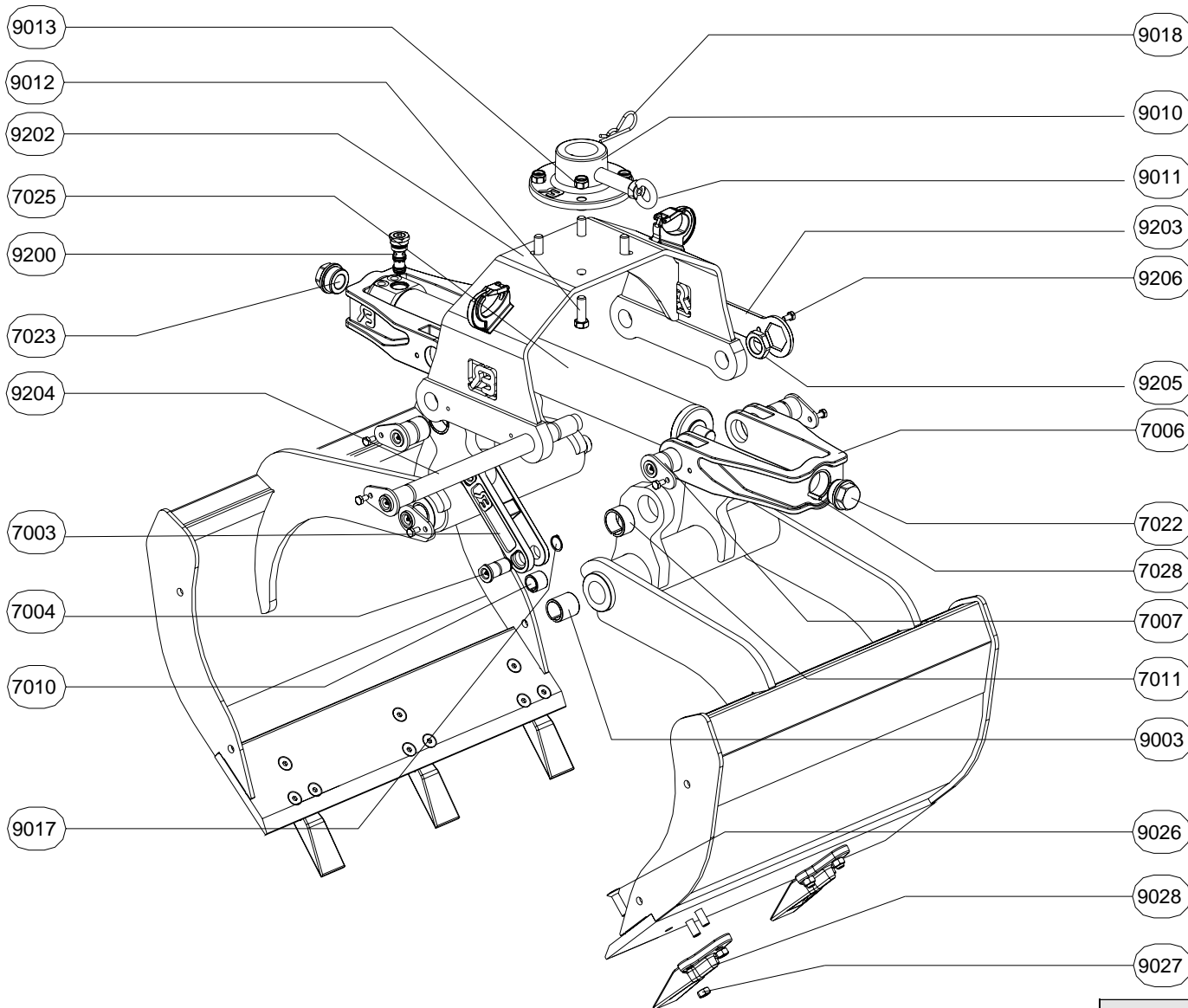
| | | | | | | | |
|-----------------------|---|---------------------------------|---------------------------------|---------------------------------|---------------------------------|---------------------------------|---------------------------------|
| Grab type | : | RBONA | | | | | |
| Width | : | <input type="checkbox"/> 60 cm | <input type="checkbox"/> 80 cm | <input type="checkbox"/> 100 cm | <input type="checkbox"/> 70 cm | <input type="checkbox"/> 90 cm | <input type="checkbox"/> 120 cm |
| | | | | | | | |
| Capacity | : | <input type="checkbox"/> 250 L | <input type="checkbox"/> 340 L | <input type="checkbox"/> 440 L | <input type="checkbox"/> 295 L | <input type="checkbox"/> 395 L | <input type="checkbox"/> 520 L |
| | | | | | | | |
| Weight | : | <input type="checkbox"/> 290 kg | <input type="checkbox"/> 325 kg | <input type="checkbox"/> 370 kg | <input type="checkbox"/> 305 kg | <input type="checkbox"/> 345 kg | <input type="checkbox"/> 410 kg |
| | | | | | | | |
| Max. working pressure | : | 250 Bar | | | | | |
| Press strength | : | 24 kN. | | | | | |
| Max. hoisting load | : | | | | | | |



Maximum oil flow in non-return valve: **80 L/min.**



RBONA 60-70-80



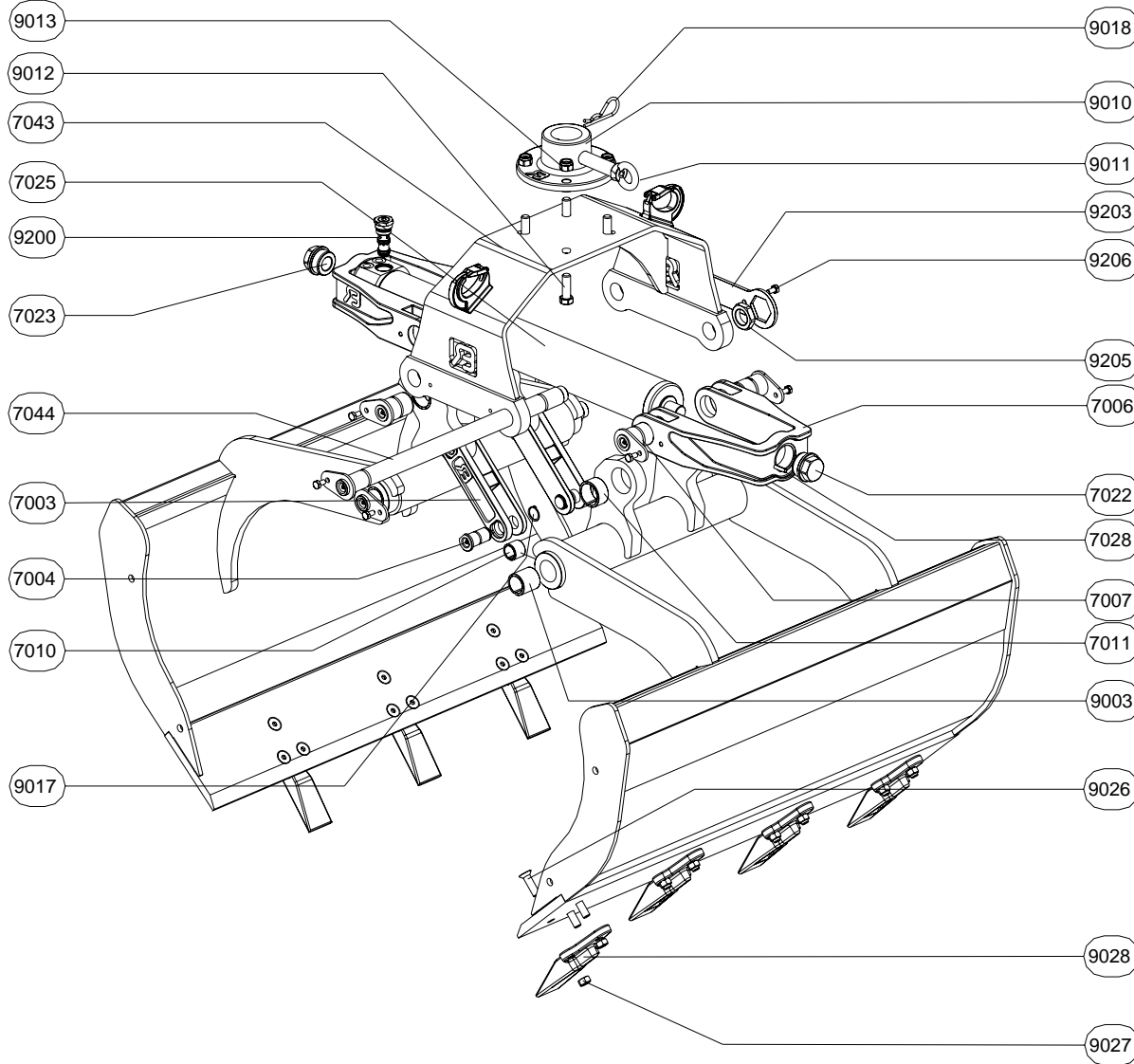
SPARE PARTS

| PART NO | QUANTITY | SPECIFICATION |
|------------|-----------|------------------|
| RBONA-7003 | 1 | STEADY LINK |
| RBONA-7004 | 2 | PIN |
| RBONA-7006 | 2 | YOKE |
| RBONA-7007 | 4 | PIN |
| RBONA-7010 | 2 | SPLIT BUSH |
| RBONA-7011 | 4 | SPLIT BUSH |
| RBONA-7022 | 1 | NUT |
| RBONA-7023 | 1 | NUT |
| RBONA-7025 | 1 | CYLINDER |
| RBONA-7028 | 2 | CLAMPING PIN |
| RBONA-9003 | 4 | SPLIT BUSH |
| RBONA-9010 | 1 | CONNECTOR PLATE |
| RBONA-9011 | 1 | CONNECTOR PIN |
| RBONA-9012 | 4 | BOLT |
| RBONA-9013 | 4 | NUT |
| RBONA-9017 | 2 | CIRCLIP |
| RBONA-9018 | 1 | HAIRPIN SPRING |
| RBONA-9026 | zie tabel | BOLT |
| RBONA-9027 | zie tabel | NUT |
| RBONA-9028 | zie tabel | TOOTH |
| RBONA-9200 | 1 | NON RETURN VALVE |
| RBONA-9202 | 1 | SADDLE PLATE |
| RBONA-9203 | 1 | LOCKING SPANNER |
| RBONA-9204 | 2 | SHAFT |
| RBONA-9205 | 2 | NUT |
| RBONA-9206 | 4 | BOLT |

| GRAB TYPE | RBONA 60 | RBONA 70 | RBONA 80 |
|--------------------------------|----------|----------|----------|
| Numer of bolts RBONA 9026/9027 | 15 | 15 | 15 |
| Numer of bolts RBOA 9028 | 5 | 5 | 5 |



RBONA 90-100-120



| PART NO | QUANTITY | SPECIFICATION |
|------------|-----------|------------------|
| RBONA-7003 | 2 | STEADY LINK |
| RBONA-7004 | 4 | PIN |
| RBONA-7006 | 2 | YOKE |
| RBONA-7007 | 4 | PIN |
| RBONA-7010 | 4 | SPLIT BUSH |
| RBONA-7011 | 4 | SPLIT BUSH |
| RBONA-7022 | 1 | NUT |
| RBONA-7023 | 1 | NUT |
| RBONA-7025 | 1 | CYLINDER |
| RBONA-7028 | 2 | CLAMPING PIN |
| RBONA-7043 | 1 | SADDLE PLATE |
| RBONA-7044 | 2 | SHAFT |
| RBONA-9003 | 4 | SPLIT BUSH |
| RBONA-9010 | 1 | CONNECTOR PLATE |
| RBONA-9011 | 1 | CONNECTOR PIN |
| RBONA-9012 | 4 | BOLT |
| RBONA-9013 | 4 | NUT |
| RBONA-9017 | 4 | CIRCLIP |
| RBONA-9018 | 1 | HAIRPIN SPRING |
| RBONA-9026 | zie tabel | BOLT |
| RBONA-9027 | zie tabel | NUT |
| RBONA-9028 | zie tabel | TOOTH |
| RBONA-9200 | 1 | NON RETURN VALVE |
| RBONA-9203 | 1 | LOCKING SPANNER |
| RBONA-9205 | 2 | NUT |
| RBONA-9206 | 4 | BOLT |

| GRAB TYPE | RBONA 90 | RBONA 100 | RBONA 120 |
|---------------------------------|----------|-----------|-----------|
| Number of bolts RBONA 9026/9027 | 21 | 21 | 21 |
| Number of bolts RBONA 9028 | 7 | 7 | 7 |