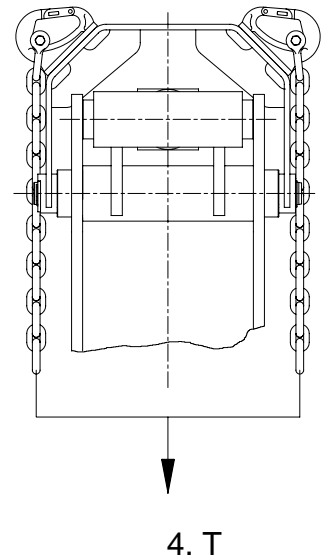
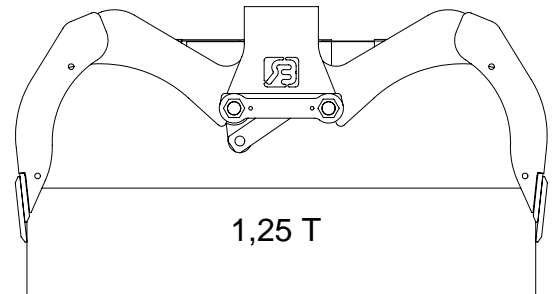




RBOX

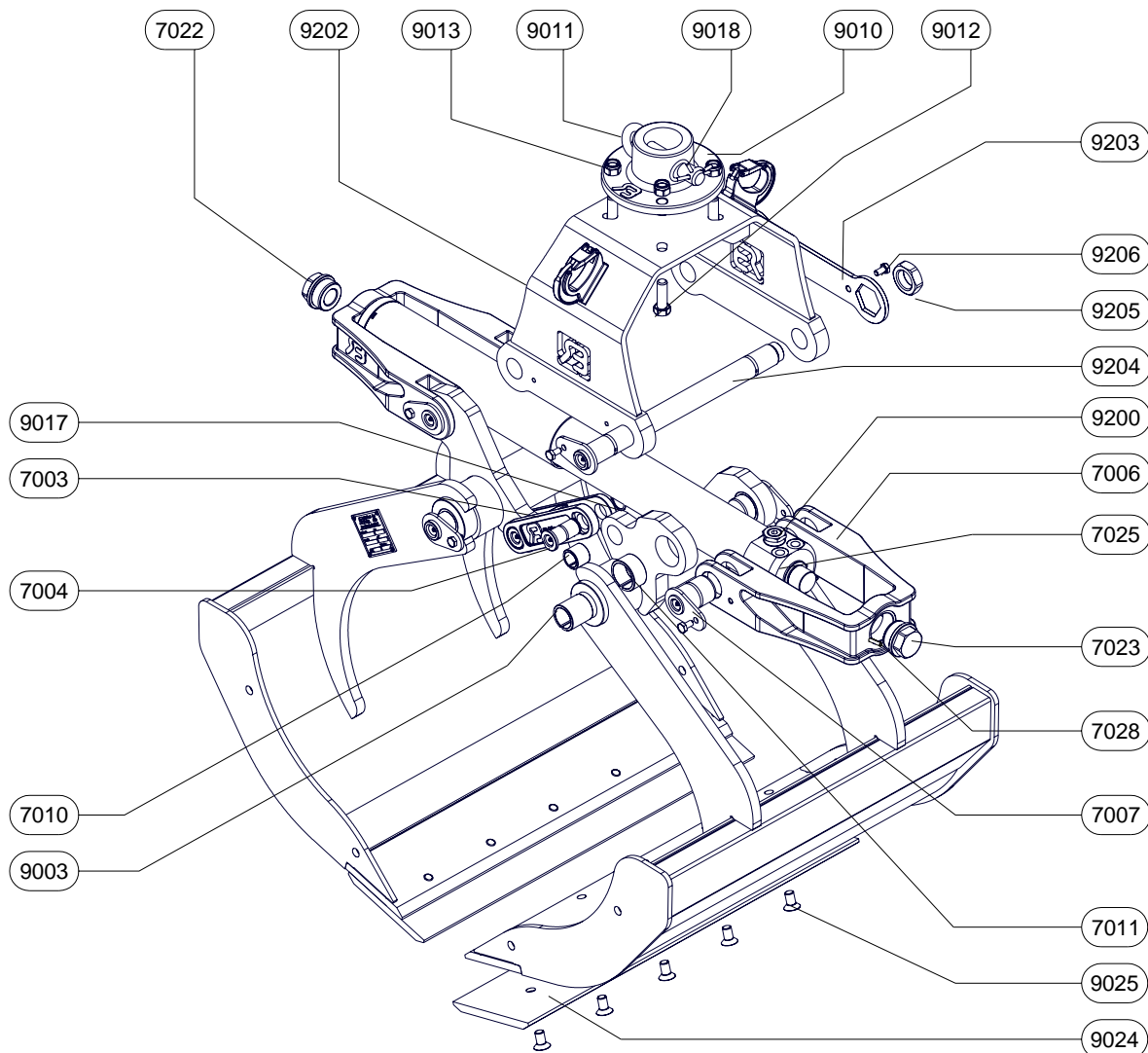
TECHNICAL DATA:

| | | | | |
|--|---|---------------------------------|---------------------------------|---------------------------------|
| Grab type | : | RBOX | | |
| Width | : | <input type="checkbox"/> 55 cm | <input type="checkbox"/> 80 cm | <input type="checkbox"/> 100 cm |
| | | <input type="checkbox"/> 65 cm | <input type="checkbox"/> 90 cm | <input type="checkbox"/> 120 cm |
| Capacity | : | <input type="checkbox"/> 250 L | <input type="checkbox"/> 400 L | <input type="checkbox"/> 500 L |
| | | <input type="checkbox"/> 300 L | <input type="checkbox"/> 450 L | <input type="checkbox"/> 600 L |
| Weight | : | <input type="checkbox"/> 300 kg | <input type="checkbox"/> 345 kg | <input type="checkbox"/> 380 kg |
| | | <input type="checkbox"/> 320 kg | <input type="checkbox"/> 360 kg | <input type="checkbox"/> 415 kg |
| Max. working pressure | : | 250 Bar | | |
| Press strength | : | 20 kN. | | |
| Max. hoisting load | : | 4 T | | |
| Maximum oil flow in non-return valve: 80 L/min. | | | | |





RBOX 55-65-80



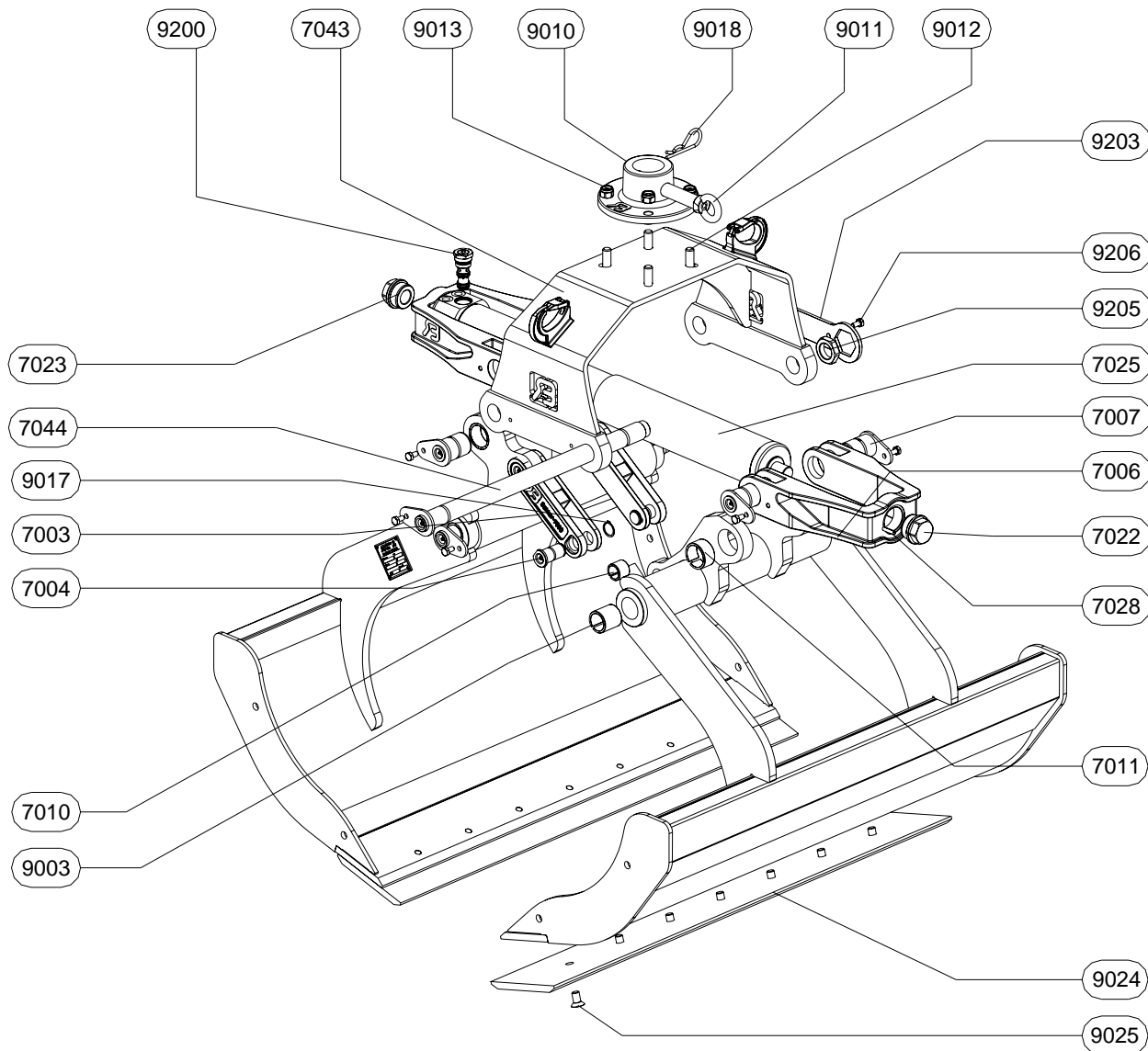
SPARE PARTS

| PART NO | QUANTITY | SPECIFICATION |
|-----------|-----------|------------------|
| RBOX-7003 | 1 | STEADY LINK |
| RBOX-7004 | 2 | PIN |
| RBOX-7006 | 2 | YOKE |
| RBOX-7007 | 4 | PIN |
| RBOX-7010 | 2 | SPLIT BUSH |
| RBOX-7011 | 4 | SPLIT BUSH |
| RBOX-7022 | 1 | NUT |
| RBOX-7023 | 1 | NUT |
| RBOX-7025 | 1 | CYLINDER |
| RBOX-7028 | 2 | ROLL PIN |
| RBOX-9003 | 4 | SPLIT BUSH |
| RBOX-9010 | 1 | SUSPENSION PLATE |
| RBOX-9011 | 1 | SUSPENSION PIN |
| RBOX-9012 | 4 | BOLT |
| RBOX-9013 | 4 | NUT |
| RBOX-9017 | 2 | CIRCLIP |
| RBOX-9018 | 1 | HAIRPIN SPRING |
| RBOX-9024 | 2 | BLADE |
| RBOX-9025 | see chart | BOLT |
| RBOX-9200 | 1 | NON RETURN VALVE |
| RBOX-9202 | 1 | SADDLE PLATE |
| RBOX-9203 | 1 | LOCKING SPANNER |
| RBOX-9204 | 2 | SHAFT |
| RBOX-9205 | 2 | NUT |
| RBOX-9206 | 4 | BOLT |

| GRAB TYPE | RBOX 55 | RBOX 65 | RBOX 80 |
|---------------------------|---------|---------|---------|
| Number of bolts RBOX 9025 | 8 | 10 | 10 |



RBOX 90-100-120



SPARE PARTS

| PART NO | QUANTITY | SPECIFICATION |
|-----------|-----------|------------------|
| RBOX-7003 | 2 | STEADY LINK |
| RBOX-7004 | 4 | PIN |
| RBOX-7006 | 2 | YOKE |
| RBOX-7007 | 4 | PIN |
| RBOX-7010 | 4 | SPLIT BUSH |
| RBOX-7011 | 4 | SPLIT BUSH |
| RBOX-7022 | 1 | NUT |
| RBOX-7023 | 1 | NUT |
| RBOX-7025 | 1 | CYLINDER |
| RBOX-7028 | 2 | ROLL PIN |
| RBOX-7043 | 1 | SADDLE PLATE |
| RBOX-7044 | 2 | SHAFT |
| RBOX-9003 | 4 | SPLIT BUSH |
| RBOX-9010 | 1 | SUSPENSION PLATE |
| RBOX-9011 | 1 | SUSPENSION PIN |
| RBOX-9012 | 4 | BOLT |
| RBOX-9013 | 4 | NUT |
| RBOX-9017 | 4 | CIRCLIP |
| RBOX-9018 | 1 | HAIRPIN SPRING |
| RBOX-9024 | 2 | BLADE |
| RBOX-9025 | see chart | BOLT |
| RBOX-9200 | 1 | NON RETURN VALVE |
| RBOX-9203 | 1 | LOCKING SPANNER |
| RBOX-9205 | 2 | NUT |
| RBOX-9206 | 4 | BOLT |

| GRAB TYPE | RBOX 90 | RBOX 100 | RBOX 120 |
|---------------------------|---------|----------|----------|
| Number of bolts RBOX 9025 | 10 | 14 | 14 |