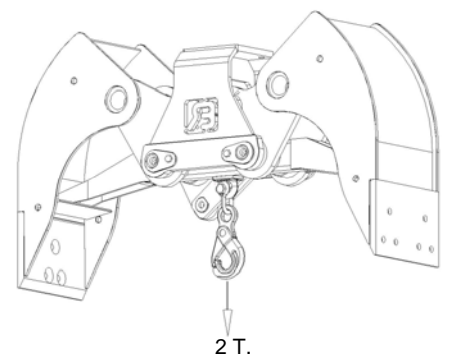
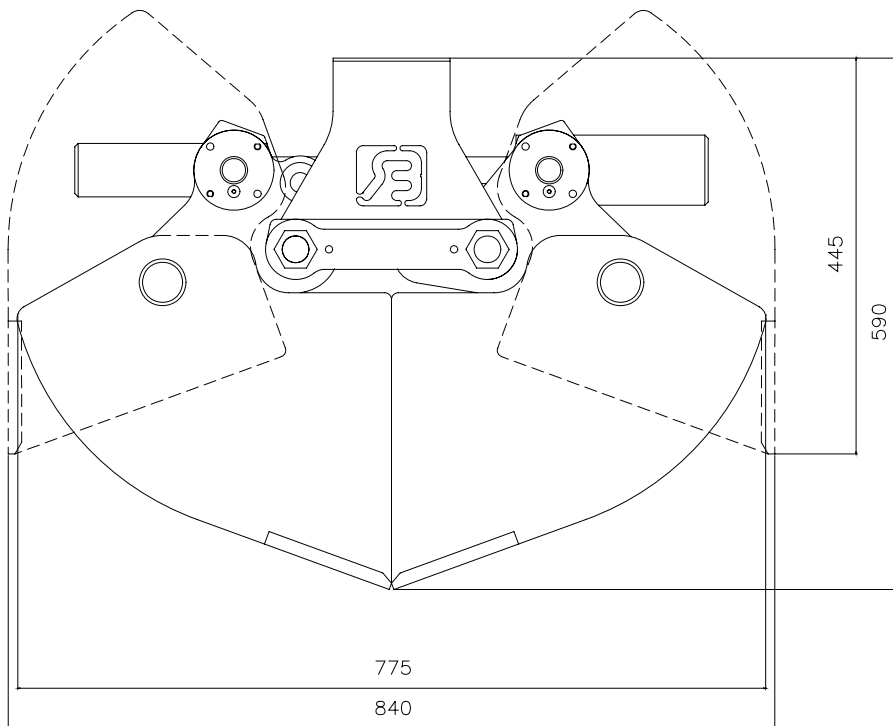




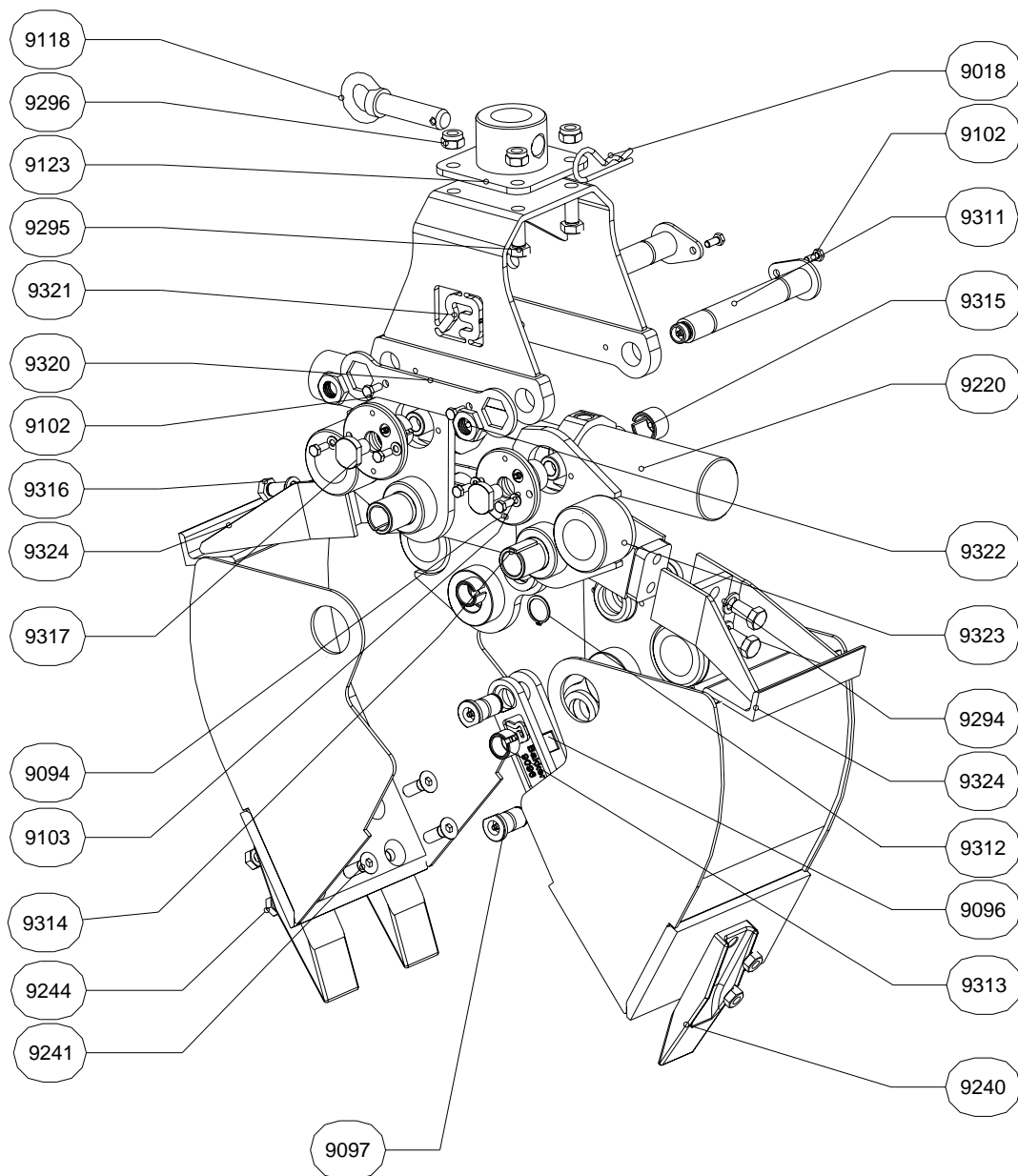
TECHNICAL DATA:

Grab type	:	HBB	
Width	:	<input type="checkbox"/> 25 cm	<input type="checkbox"/> 40 cm
		<input type="checkbox"/> 30 cm	<input type="checkbox"/> 50 cm
Capacity	:	<input type="checkbox"/> 35 L	<input type="checkbox"/> 60 L
		<input type="checkbox"/> 42 L	<input type="checkbox"/> 75 L
Weight	:	<input type="checkbox"/> 79 kg	<input type="checkbox"/> 103 kg
		<input type="checkbox"/> 84 kg	<input type="checkbox"/> 120 kg
Max. working pressure	:	200 Bar	
Press strength	:	20 kN.	
Max. hoisting load	:	2 T	





HBB Grab



SPARE PARTS

PART N°	QUANTITY	SPECIFICATION
HBB-9018	1	HAIRPIN SPRING
HBB-9094	4	FLANGED BUSH
HBB-9096	1	STEADY LINK
HBB-9097	2	PIN
HBB-9100	1	SIDE PANEL-A
HBB-9101	1	SIDE PANEL-B
HBB-9102	12	BOLT
HBB-9103	8	SPRING WASHER
HBB-9118	1	CONNECTOR PIN
HBB-9123	1	CONNECTOR PLATE
HBB-9220	1	CYLINDER
HBB-9240	see chart	TOOTH
HBB-9241	see chart	BOLT
HBB-9244	see chart	NUT
HBB-9294	4	SPRING WASHER
HBB-9295	4	BOLT
HBB-9296	4	NUT
HBB-9311	2	SHAFT
HBB-9312	2	CIRCLIP Ø 25 MM
HBB-9313	2	SPLIT BUSH
HBB-9314	4	SPLIT BUSH
HBB-9315	4	SPLIT BUSH
HBB-9316	4	BOLT
HBB-9317	4	SECURING BOLT
HBB-9320	1	LOCKING SPANNER
HBB-9321	1	SADDLE PLATE
HBB-9322	2	NUT
HBB-9323	1	BASE OF EJECTOR
HBB-9324	2	EJECTOR

Grab type	HBB 25	HBB 30	HBB 40	HBB 50
Number HBB 9241/9244	6	6	10	10
Number HBB 9240	3	3	5	5