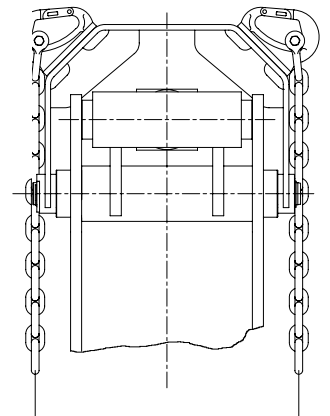
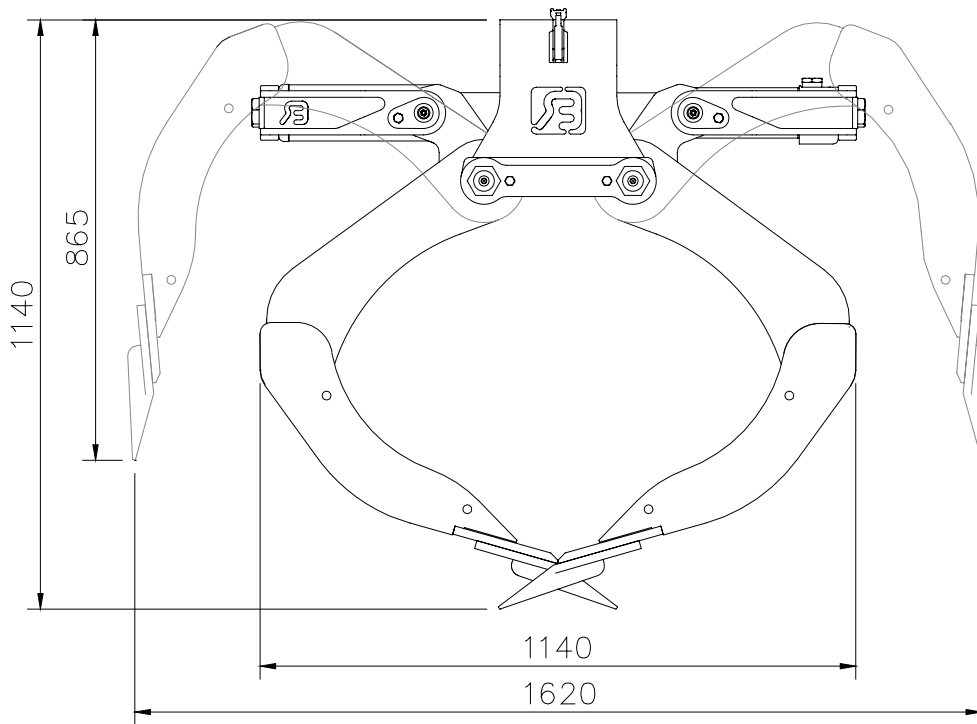




# RBOA

## TECHNICAL DATA:

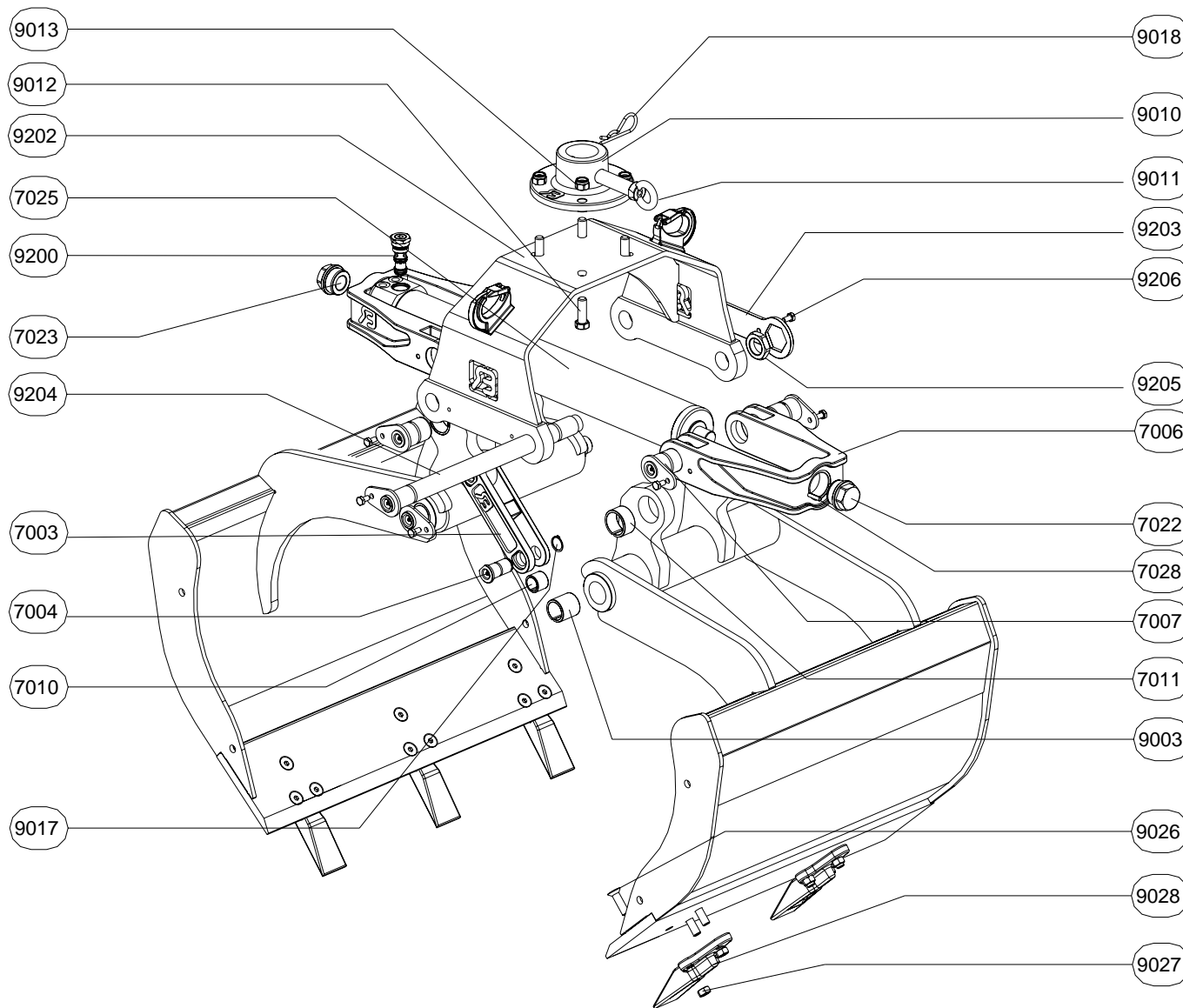
Grab type	:	<b>RBOA</b>		
Width	:	<input type="checkbox"/> 60 cm	<input type="checkbox"/> 80 cm	<input type="checkbox"/> 100 cm
		<input type="checkbox"/> 70 cm	<input type="checkbox"/> 90 cm	<input type="checkbox"/> 120 cm
Capacity	:	<input type="checkbox"/> 275 L	<input type="checkbox"/> 400 L	<input type="checkbox"/> 500 L
		<input type="checkbox"/> 335 L	<input type="checkbox"/> 450 L	<input type="checkbox"/> 600 L
Weight	:	<input type="checkbox"/> 325 kg	<input type="checkbox"/> 355 kg	<input type="checkbox"/> 385 kg
		<input type="checkbox"/> 340 kg	<input type="checkbox"/> 370 kg	<input type="checkbox"/> 420 kg
Max. working pressure	:	<b>250 Bar</b>		
Press strength	:	<b>20 kN.</b>		
Max. hoisting load	:	<b>4 T</b>		
Maximum oil flow in non-return valve: <b>80 L/min.</b>				



4. T



# RBOA 60-70-80 cm



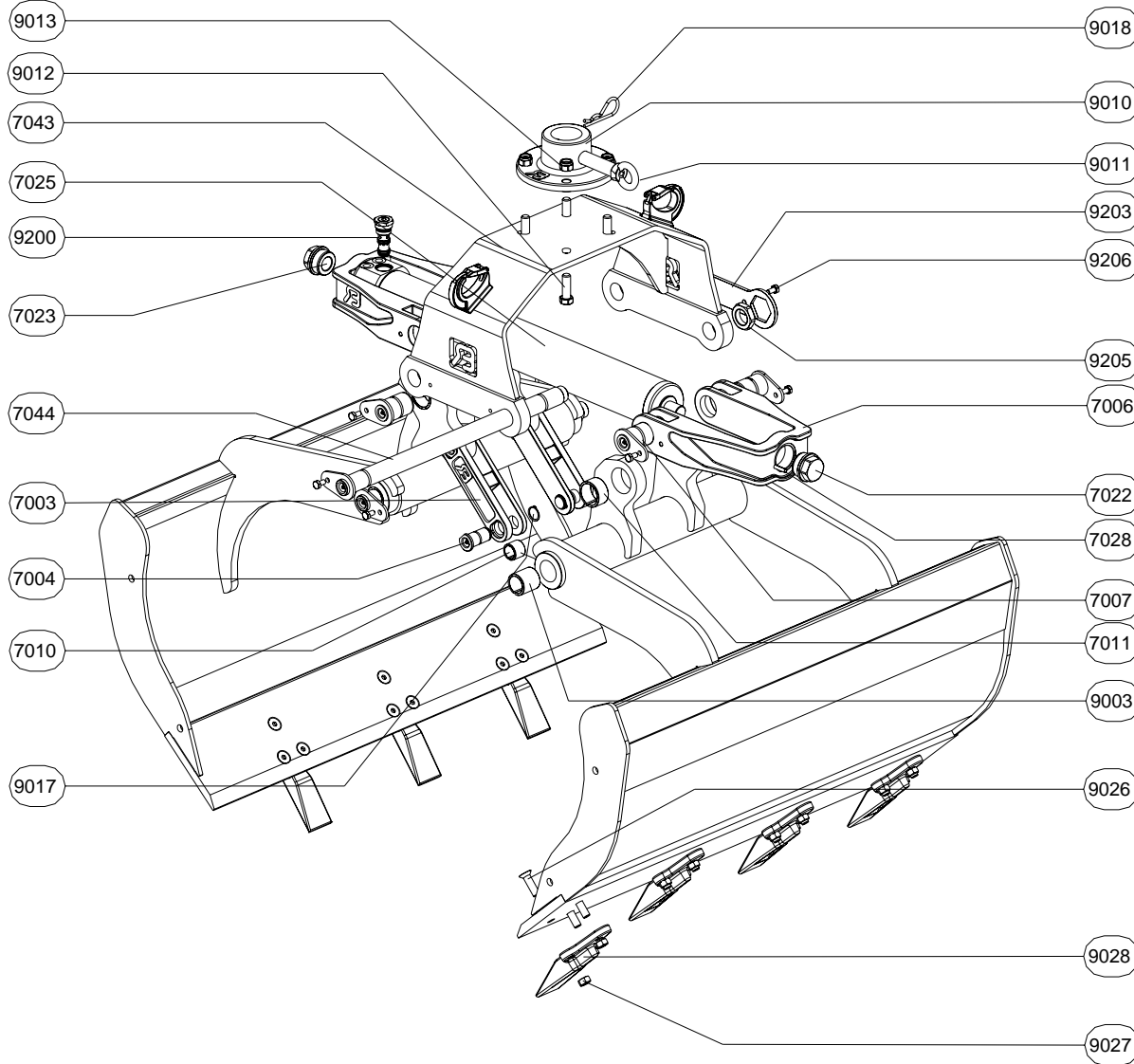
## SPARE PARTS

PART NO	QUANTITY	SPECIFICATION
RBOA-7003	1	STEADY LINK
RBOA-7004	2	PIN
RBOA-7006	2	YOKE
RBOA-7007	4	PIN
RBOA-7010	2	SPLIT BUSH
RBOA-7011	4	SPLIT BUSH
RBOA-7022	1	NUT
RBOA-7023	1	NUT
RBOA-7025	1	CYLINDER
RBOA-7028	2	CLAMPING PIN
RBOA-9003	4	SPLIT BUSH
RBOA-9010	1	CONNECTOR PLATE
RBOA-9011	1	CONNECTOR PIN
RBOA-9012	4	BOLT
RBOA-9013	4	NUT
RBOA-9017	2	CIRCLIP
RBOA-9018	1	HAIRPIN SPRING
RBOA-9200	1	NON RETURN VALVE
RBOA-9202	1	SADDLE PLATE
RBOA-9203	1	LOCKING SPANNER
RBOA-9204	2	SHAFT
RBOA-9205	2	NUT
RBOA-9206	4	BOLT

GRAB TYPE	RBOA 60	RBOA 70	RBOA 80
Number of bolts RBOA 9028	5	5	5
Number of bolts RBOA 9027	15	15	15
Number of bolts RBOA 9026	15	15	15



# RBOA 90-100-120 cm



## SPARE PARTS

PART NO	QUANTITY	SPECIFICATION
RBOA-7003	2	STEADY LINK
RBOA-7004	4	PIN
RBOA-7006	2	YOKE
RBOA-7007	4	PIN
RBOA-7010	4	SPLIT BUSH
RBOA-7011	4	SPLIT BUSH
RBOA-7022	1	NUT
RBOA-7023	1	NUT
RBOA-7025	1	CYLINDER
RBOA-7028	2	CLAMPING PIN
RBOA-7043	1	SADDLE PLATE
RBOA-7044	2	SHAFT
RBOA-9003	4	SPLIT BUSH
RBOA-9010	1	CONNECTOR PLATE
RBOA-9011	1	CONNECTOR PIN
RBOA-9012	4	BOLT
RBOA-9013	4	NUT
RBOA-9017	4	CIRCLIP
RBOA-9018	1	HAIRPIN SPRING
RBOA-9200	1	NON RETURN VALVE
RBOA-9203	1	LOCKING SPANNER
RBOA-9205	2	NUT
RBOA-9206	4	BOLT

GRAB TYPE	RBOA 60	RBOA 70	RBOA 80
Numer of bolts RBOA 9028	5	5	5
Numer of bolts RBOA 9027	15	15	15
Numer of bolts RBOA 9026	15	15	15