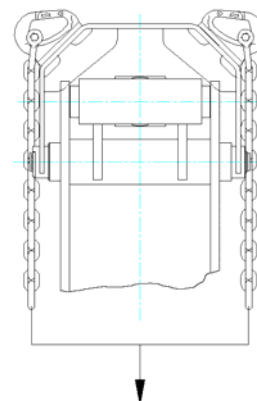
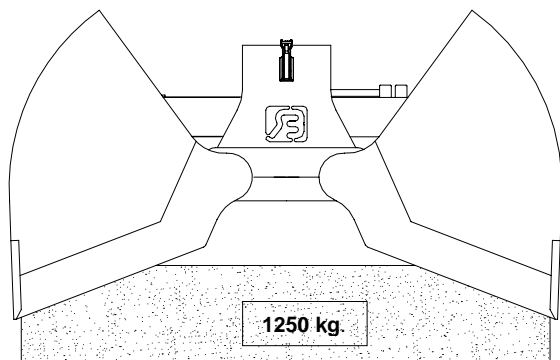
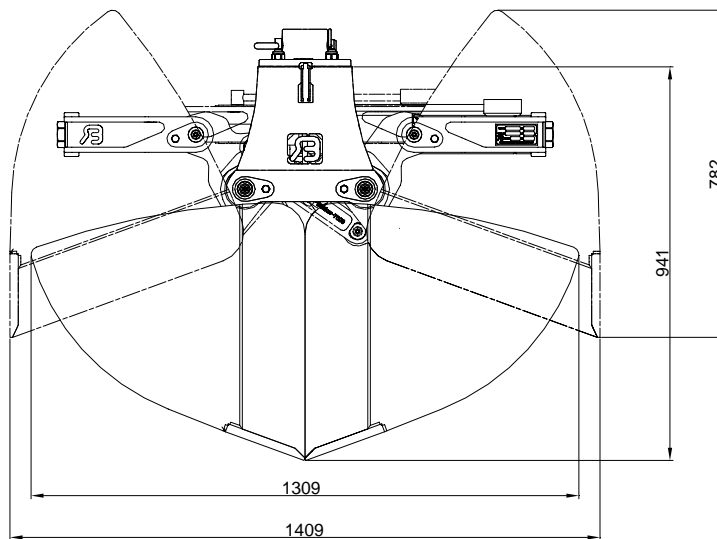




KS

TECHNICAL DATA:

Grab type	:	KS		
Width	:	<input type="checkbox"/> 55 cm	<input type="checkbox"/> 80 cm	<input type="checkbox"/> 100 cm
		<input type="checkbox"/> 65 cm	<input type="checkbox"/> 90 cm	<input type="checkbox"/> 120 cm
Capacity	:	<input type="checkbox"/> 300 L	<input type="checkbox"/> 430 L	<input type="checkbox"/> 540 L
		<input type="checkbox"/> 350 L	<input type="checkbox"/> 490 L	<input type="checkbox"/> 650 L
Weight	:	<input type="checkbox"/> 335 kg	<input type="checkbox"/> 370 kg	<input type="checkbox"/> 405 kg
		<input type="checkbox"/> 350 kg	<input type="checkbox"/> 390 kg	<input type="checkbox"/> 435 kg
Max. working pressure	:	250 Bar		
Press strength	:	30 kN.		
Max. hoisting load	:	1.25 Ton *		



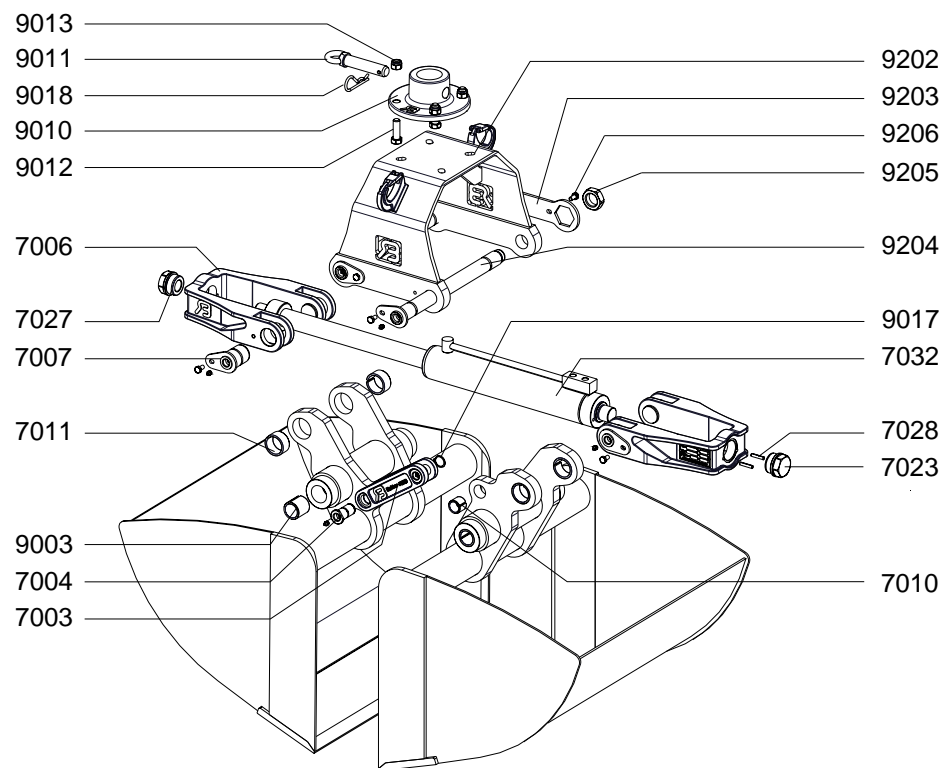
* Only when a non-return valve is being used

4000 kg



KS 55-65-80

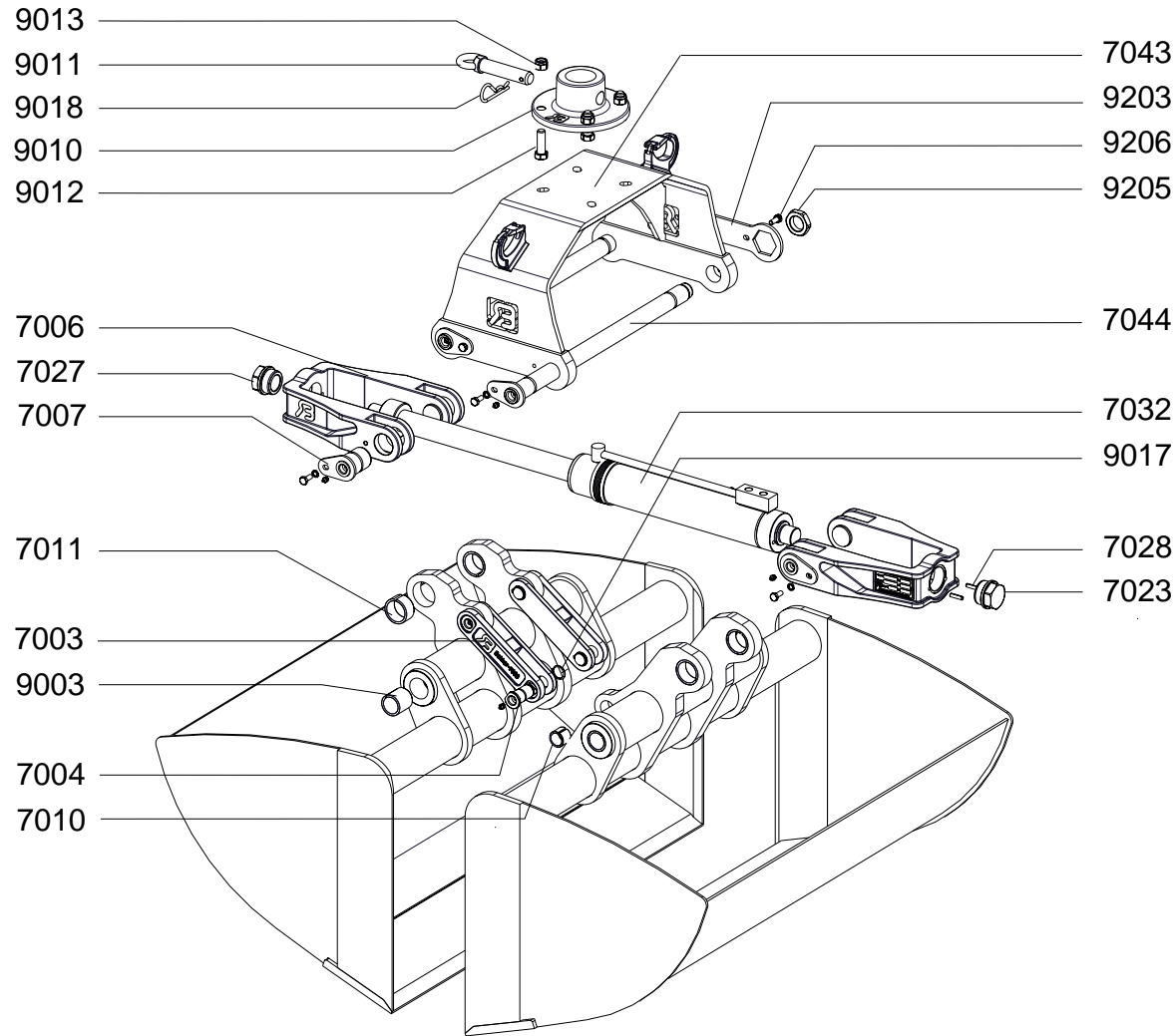
SPARE PARTS



PART NR	QUANTITY	SPECIFICATION
KS-7003	1	STEADY LINK
KS-7004	2	PIN
KS-7006	2	YOKE
KS-7007	4	PIN
KS-7010	2	SPLIT BUSH
KS-7011	4	SPLIT BUSH
KS-7023	1	NUT
KS-7027	1	NUT
KS-7028	2	ROLL PIN
KS-7032	1	CYLINDER
KS-9003	4	SPLIT BUSH
KS-9010	1	SUSPENSION PLATE
KS-9011	1	SUSPENSION PIN
KS-9012	4	BOLT
KS-9013	4	NUT
KS-9017	2	CIRCLIP Ø 30 MM
KS-9018	1	HAIRPPIN SPRING
KS-9202	1	SADDLE PLATE
KS-9203	1	LOCKING SPANNER
KS-9204	2	SHAFT
KS-9205	2	NUT
KS-9206	4	BOLT



KS 90-100-120



SPARE PARTS

PART NR	QUANTITY	SPECIFICATION
KS-7003	2	STEADY LINK
KS-7004	4	PIN
KS-7006	2	YOKE
KS-7007	4	PIN
KS-7010	4	SPLIT BUSH
KS-7011	4	SPLIT BUSH
KS-7023	1	NUT
KS-7027	1	NUT
KS-7028	2	ROLL PIN
KS-7032	1	CYLINDER
KS-7043	1	SADDLE PLATE
KS-7044	2	SHAFT
KS-9003	4	SPLIT BUSH
KS-9010	1	SUSPENSION PLATE
KS-9011	1	SUSPENSION PIN
KS-9012	4	BOLT
KS-9013	4	NUT
KS-9017	4	CIRCLIP Ø 30 MM
KS-9018	1	HAIRPPIN SPRING
KS-9203	1	LOCKING SPANNER
KS-9205	2	NUT
KS-9206	4	BOLT