



OPERATING MANUAL

Container discharge unit GEJO 01 A



Carefully read the operating manual before using this product!

TABLE OF CONTENTS

FOREWORD	3
1. INTRODUCTION	3
2. SAFETY	5
3. OPERATING INSTRUCTIONS	7
4. OTHER WORK	10
4.1 GENERAL	10
4.2 INSTALLATION	10
4.3 COMMISSIONING	11
4.4 REPAIRS AND MAINTENANCE	11
4.5 MAINTENANCE OVERVIEW	12
5. SPECIFICATIONS	14
5.1 GEJO SPECIFICATIONS	14
5.2 CONNECTION REQUIREMENTS	14
5.3 PHYSICAL OPERATING CONDITIONS	15
5.4 APPLICABLE GUIDELINES AND STANDARDS	15
6. USE OF THE HOISTING HOOK	15
PARTS DRAWING	16
PARTS LIST	17
PARTS LIST HOOK	18
HYDRAULIC DIAGRAM	19
CYLINDER PARTS	20

© 2010 Bakker Hydraulic Products B.V.
Nijverheidsweg 6

6662 NG Elst (Gld) Holland

Tel.: +31 481 374757

Fax: +31 481 375280

Website: www.bakker-hydraulic.com

E-mail: info@bakker-hydraulic.com

FOREWORD

All technical and technological knowledge contained in this manual as well as drawings made available by us are the property of Bakker Hydraulic Products B.V. They may not be copied and/or reproduced, nor disclosed to any third party without the consent of the company.

Liability:

The data published in this manual are based on the latest information. They are provided subject to future modifications.

We reserve the right to change the design and/or model of our products at any time without any obligation to adjust earlier supplies accordingly.

The documents written in Dutch are binding. Publications written in other languages are only translations from the Dutch versions and no rights can be derived from them.

Guarantee:

The guarantee provisions of our terms and conditions of delivery apply to our products. The guarantee is void if:

Service and maintenance are not carried out strictly according to the requirements, repairs are not carried out by our staff or have been implemented without our prior written consent.

The equipment has been modified without our prior written consent.

Non-genuine parts or lubricants other than specified are used.

Equipment is used in an unprofessional, improper or careless manner or not in accordance with the requirements.

Bakker Hydraulic Products B.V. is not liable for the damage caused by faults in the GEJO 01 A (for example, damage to load, interruptions of the operation, etc).

1 INTRODUCTION

1.1 USE OF THIS DOCUMENTATION

The safety chapter is intended for anyone who works with or on this GEJO 01 A.

The chapters 'Introduction', 'Safety' and 'Operating Instructions' are important for the operators.

In addition to these chapters, service and maintenance personnel will mainly use the chapters 'Other Work' and 'Drawings'.

Based on the specifications, production management can check whether the GEJO 01 A is used within the specified limits.

For the safety officer or safety department, the chapter 'Safety' is particularly important.

© 2010 Bakker Hydraulic Products B.V.
Nijverheidsweg 6

6662 NG Elst (Gld) Holland

Tel.: +31 481 374757

Fax: +31 481 375280

Website: www.bakker-hydraulic.com

E-mail: info@bakker-hydraulic.com

The following warning texts have been used:

CAUTION! Warns of possible damage to the product or the GEJO 01 A.

WARNING! Warns of possible injury to the operator or other persons.

DANGER TO LIFE! Warns of imminent life-threatening danger.

Work activities that must be carried out by BAKKER HYDRAULIC PRODUCTS B.V. staff are not included in this documentation.

Therefore, keep this documentation carefully. It contains information that will be useful or necessary later, for example, for repair or maintenance. It is recommended to keep a copy with the GEJO 01 A and to save a copy in the files of your technical department.

Bakker Hydraulic Products B.V. has the exclusive copyright of this manual. Copies can be ordered at Bakker Hydraulic Products B.V. at the then current price.

1.2 SUPPORT ADDRESS AND TELEPHONE NUMBER

If you have any complaints or problems regarding the operation of the GEJO 01 A or its maintenance, please contact your dealer.

1.3 INTRODUCTION OF THE GEJO 01 A

The GEJO 01 A is a hydraulically operated device. Through an external tool, the hydraulic cylinders can be brought into operation, so the valves at the bottom of the waste container can be opened and closed.

The GEJO 01 A is designed for unloading underground waste containers, which are provided with the so-called mushroom discharge principle. On the top, the container is equipped with 2 loading legs that slide into each other. Both are fitted with a plate on top. This plate is called the mushroom. The GEJO 01 A has two lifting pieces, which must be placed under the mushrooms simultaneously. First, the upper mushroom should be pulled up by the hydraulic cylinders. This closes the valves at the bottom of the container, which are connected to the loading leg of the upper mushroom by chains/cables. Once the upper mushroom is fully pulled up, the valves are closed and the container can be lifted. The container is carried by the lower lifting piece. It can then be lifted above the lorry to be discharged. Discharging should take place as follows: When the container is suspended above the lorry, the upper mushroom can be lowered by the hydraulic cylinders. It is important for the cylinders to be fully extended. This results in the lower mushroom being enclosed in the lower lifting piece. Once the container is empty, the valves can be closed again by retracting the cylinder. Now the container can be returned to its place. When the container is back in its place, the upper mushroom can be lowered until it rests on the lower loading leg, after which the GEJO 01 A can be removed from the container.

During transport, the GEJO 01 A, which is attached to the lifting eye of the crane, can be placed on the lorry. Rubbing strips have been applied for this purpose.

© 2010 Bakker Hydraulic Products B.V.
Nijverheidsweg 6

6662 NG Elst (Gld) Holland

Tel.: +31 481 374757

Fax: +31 481 375280

Website: www.bakker-hydraulic.com

E-mail: info@bakker-hydraulic.com

1.4 EXPLANATION ON THE GEJO 01 A AND TECHNICAL TERMS

Switch with check valve: Prevents the lower mushroom from being lifted from the lower ring when the chains are pulled tight.

Upper lifting piece: To move the upper mushroom that closes the valves at the bottom of the container.

Lower lifting piece: To grab the lower mushroom to lift the container.

Rubbing strips: Rubbing strips have been applied to prevent damage to the GEJO 01 A during transport.

Viewing window: A viewing window has been fitted in the protective cover.

Rotator: Hydraulic rotary motor for rotating the GEJO 01 A.

Linear guide: Shafts over which the upper lifting piece moves up and down.

1.5 This documentation relates to the GEJO 01 A.

1.5.1 Not part of the GEJO 01 A

The following components do not form part of the GEJO 01 A:

- External machine from which the container discharge unit GEJO 01 A is suspended.
- Hydraulic control device.

WARNING!

Any references to these components are included for informative purposes only. The applicable rules or instructions of the supplier/installer of the corresponding hydraulic equipment and/or external machine may be different and supersede instructions contained in this documentation.

2. SAFETY

2.1 INTRODUCTION

This GEJO 01 A is designed and constructed so that it can be used and maintained safely. This applies to the application, the circumstances and the instructions described in this documentation. Reading the documentation and following the instructions are therefore necessary for anyone working with or on this GEJO 01 A.

For professional use, it is the responsibility of the employer that these instructions are known and complied with.

Additional security measures may be required by the company or the country where the GEJO 01 A is in use. This concerns the working conditions in particular.

This documentation does not describe how these must be complied with. However, the required information about the GEJO 01 A is given. If in doubt, please consult your Government or Safety Officer.

In this documentation, a distinction is made between normal use (see Operating Instructions) and other work on the GEJO 01 A.

© 2010 Bakker Hydraulic Products B.V.
Nijverheidsweg 6

6662 NG Elst (Gld) Holland

Tel.: +31 481 374757

Fax: +31 481 375280

Website: www.bakker-hydraulic.com

E-mail: info@bakker-hydraulic.com

The reason is that other requirements are set on service staff than on the operators, especially with regard to safety.

The simple maintenance tasks listed in the Operating Instructions can be carried out by the operators.

Activities that are not described in the Operating Instructions should only be carried out by appropriately qualified personnel. Keys or special tools that have been provided to restrict access to certain areas or features may not be stored on the GEJO 01 A. Only persons with the requisite knowledge may have access to these.

DANGER TO LIFE!

The container discharge unit GEJO 01 A is lifting equipment. Improper use and/or failure to comply with the safety instructions may result in the container falling from the GEJO 01 A.

!! Above all: When in doubt, consult with Bakker Hydraulic Products B.V.!

- Working with, opening and moving of containers is never without risk and requires certain experience. New operators of the container discharge unit should be instructed in its use by experienced operators.
- Create a so-called safety zone with traffic cones before emptying or moving a container or related product.
- Never move a container or related product if there are people in the work area.
- Position the container or related product correctly above the receptacle in which it should be emptied before opening it.
- When opening a container, the contents (glass for example) may jump up. Make sure the container is not opened until the area is completely clear.
- Never walk or stand under the load.
- Ensure children cannot access the GEJO 01 A!
- Ensure that the locally applicable lifting and safety regulations are present before lifting any objects with the GEJO 01 A.

Do not reach into the GEJO 01 A while in operation or running. Even if the GEJO 01 A does not work, it may be 'running' meaning, the hydraulic system is under pressure and can be operated and start moving.

- Safety equipment may not be removed or disabled.
- Failure to comply with instructions, warnings and/or safety measures may result in injury.
- The container discharge unit may not be used for purposes other than for which it was designed.

© 2010 Bakker Hydraulic Products B.V.
Nijverheidsweg 6

6662 NG Elst (Gld) Holland

Tel.: +31 481 374757 Fax: +31 481 375280

Website: www.bakker-hydraulic.com E-mail: info@bakker-hydraulic.com

- Always disconnect the hydraulic connections before starting work on the container discharge unit.
- Cylinders from which a load is suspended may be under pressure. Do not remove the lines until it is certain that the cylinder cannot move due to the external load.
- Do not use the container discharge unit with damaged, missing or improperly working components.
- Immediately stop the machinery if the container discharge unit does not work properly.

2.3 PROHIBITED USES

We would like to put emphasis on the following applications for which the GEJO 01 A is not suitable: lifting products other than described in the specifications.

2.4 EMERGENCY STOP

No emergency stop is present on the GEJO 01 A itself. Such a system should be present on the hydraulic control device of the external machine.

Recommendations:

- Consult the documentation of the supplier of the external machine/lifting equipment.

2.5 WARNINGS ON THE GEJO 01 A

The warnings affixed to the GEJO 01 A must be clearly legible at all times. Replace them if necessary. The texts of the affixed warnings are included in the Chapter 'Indications on the GEJO 01 A'. The relevant risks are further described in the Operating and Maintenance Instructions.

2.6 EMISSION OF HAZARDOUS SUBSTANCES

The GEJO 01 A itself does not contain any substances that may endanger people.

2.7 PROTECTION OF THE ENVIRONMENT

Environmental pollution hazards can be present in the form of hydraulic oil: see 'Maintenance'.

2.8 EMERGENCIES

There are no special instructions for emergencies. Common extinguishing agents can be used.

3 OPERATING INSTRUCTIONS OF THE GEJO 01 A

3.1 GENERAL

3.1.1 Design of the GEJO 01 A - See drawings.

3.3.2 Control devices

Consult the documentation of the supplier of the external machine/lifting equipment for the hydraulic control.

© 2010 Bakker Hydraulic Products B.V.
Nijverheidsweg 6

6662 NG Elst (Gld) Holland

Tel.: +31 481 374757

Fax: +31 481 375280

Website: www.bakker-hydraulic.com

E-mail: info@bakker-hydraulic.com

3.2 PEOPLE

3.3.2 Operators

The GEJO 01 A may only be operated by an adult who has read and understood the chapters 'Safety' and 'Operating Instructions' in the documentation of the supplier of the control devices.

3.2.2 Personal protective equipment - See instructions of the employer.

3.3 WORKING WITH THE GEJO 01 A

WARNING!

Use the GEJO 01 A only after you have ascertained that there are no persons within the danger zone.

3.3.1 Preparing the GEJO 01 A for use

Before using the GEJO 01 A you must be sure that:

- The oil pressure is not higher than indicated on the type plate.
- There is no air in the hydraulic system.
- All rotating and moving parts are clean.
- No loose parts can fall off during movement.
- There is no damage to or around the rotator.
- No people can come under the load.
- Material resulting from spilling is not an obstacle for the proper functioning of the system.
- There is no damage to the structure.

3.3.2 Starting the GEJO 01 A

See the instructions of the supplier of the external machine.

3.3.3 Stopping the GEJO 01 A

See the instructions of the supplier of the external machine.

3.4 MALFUNCTIONS

Any malfunctions may have either a mechanical or a hydraulic cause. In case of a malfunction, it is recommended to follow the fault list shown below. If the malfunction has been identified, it can be resolved using the solutions listed.

A list of possible error messages from the hydraulic control has not been included. For these messages, please consult the documentation of the supplier of the external machine/lifting equipment.

MALFUNCTION	CAUSE	SOLUTION
Upper lifting piece does not rise	<p>Oil pressure of the external machine is too low Valve does not work properly Cylinder is leaking Quick couplings are leaking</p> <p>Linear guide is damaged</p> <p>The lower mushroom no longer rests on the switch, causing the check valve to close the oil supply Hoses are damaged, leaking</p>	<p>Check/adjust oil pressure Check/replace valve</p> <p>Piston sleeves Quick couplings Check/tighten/replace Check for damage and/or if the lifting piece can move freely between the linear guide. Replace the linear guide</p> <p>Check whether the switch is pushed in, and if this is not the case, operate the check valve with the supplied valve unloader</p> <p>Check/replace hoses</p>
Upper lifting piece does not descend	<p>Oil pressure of the external machine is too low Valve does not work properly Cylinder is leaking</p> <p>Quick couplings are leaking</p> <p>Linear guide is damaged</p> <p>Hoses are damaged, leaking</p>	<p>Check/adjust oil pressure</p> <p>Check/replace valve Piston sleeves Check/replace Quick couplings Check/tighten/replace Check for damage and/or if the lifting piece can move freely between the linear guide. Replace the linear guide</p> <p>Check/replace hoses</p>
Rotator does not rotate	<p>Oil pressure of the external machine is too low Rotator is leaking Quick couplings are leaking</p> <p>Hoses are damaged, leaking</p>	<p>Check/adjust oil pressure Check/replace seals Quick couplings Check/tighten/replace Check/replace hoses</p>
Mushroom does not enter the lifting piece	<p>Incorrect dimensions, wrong container</p> <p>Mushroom is damaged Lifting piece is damaged</p>	<p>Check the dimensions, remove the container from circulation. Check for damage Remove the container from circulation</p> <p>Check for damage Replace the lifting piece Check/clean the lifting piece</p>
Upper lifting piece does not fit properly to the lower lifting piece	<p>Lifting piece is dirty Dirt at the bottom of the linear guide</p> <p>Linear guide is damaged</p>	<p>Check/clean linear guide Check for damage and/or if the lifting piece can move freely between the linear guide. Replace the linear guide</p>

Fault repairs should be performed by qualified personnel.

WARNING!

If a malfunction occurs repeatedly, this may indicate an error in the GEJO 01 A: inform the person responsible for service/maintenance.

3.5 CLEANING

WARNING!

The GEJO 01 A should be disconnected during cleaning operations. If the cleaning operations are performed by a third party (e.g. cleaning department or an external cleaning company), it should be ensured that these persons have received the proper instructions to perform the cleaning work safely.

4 OTHER WORK

4.1 GENERAL

WARNING!

Before performing any work on the GEJO 01 A, the hydraulic power supply should be switched off by disconnecting the 4 hydraulic hoses with quick couplings (2 hoses of the waste container and 2 hoses of the rotator). Guards and hatches are intended as a safeguard during normal operation: for other work activities they may provide insufficient safety.

WARNING!

After switching off the GEJO 01 A, there may still be residual energy present in the GEJO 01 A.

It is not allowed (or required) to carry out test runs with the GEJO 01 A with the safety devices disabled or the guards removed.

Only for some activities it is required to have the GEJO 01 A run with the safety devices disabled or the guards removed. See the instructions of the corresponding activities.

WARNING!

Be particularly careful when performing these activities. They entail an increased risk.

4.2 INSTALLATION

4.2.1 Mechanical part

The mechanical installation is carried out by your Bakker Hydraulic Products B.V. dealer (see Chapter 1.2).

4.2.2 Hydraulic part

Local regulations should always be observed.

Check whether the hydraulic pressure received corresponds to the required pressure indicated on the type plate.

The GEJO 01 A and the rotator are each supplied with 2 hydraulic hoses fitted with ½" male quick connectors. These must be connected to the ½" female connectors of the external machine.

© 2010 Bakker Hydraulic Products B.V.
Nijverheidsweg 6

6662 NG Elst (Gld) Holland

Tel.: +31 481 374757

Fax: +31 481 375280

Website: www.bakker-hydraulic.com

E-mail: info@bakker-hydraulic.com

4.3 THE COMMISSIONING

Before using the GEJO 01 A for the first time, or after a major overhaul or repair after prolonged storage, the GEJO 01 A should be recommissioned.

Make sure that:

- The oil pressure is correct It may not exceed the pressure indicated on the type plate.
- There is no air in the hydraulic system.
- The cylinders do not leak.
- The hydraulic hoses are undamaged.
- All pins are fastened.
- All rotating parts are clean.
- The linear guide is not dirty or damaged.
- All bolts and nuts are tight.

WARNING!

The risk of improper operation is greater during commissioning than under normal use. If necessary, take additional safety measures.

4.4 REPAIRS AND MAINTENANCE

4.4.1 Settings

Currently, there are no setting options on the GEJO 01 A.

4.4.2 Maintenance Overview

Perform all operations on the GEJO 01 A while the GEJO 01 A is disconnected.

The hoses must be disconnected from the external machine.

The activities are indicated in the table with the following figures:

Activities The intervals are shown in the columns of the type of maintenance operations:





	Cleaning	Interval ½, 1, 2, 6, 12, 24, 48 → Number of months
	Inspecting and making	D → Daily ? → As required
	adjustments/topping off	W → Weekly The intervals are based on 8-hour working days.
	Replacing/overhauling	

Table I: Maintenance Overview

Comment: All abnormal conditions should be reported and repaired immediately. If in doubt about the proper functioning of the system, please contact the supplier of the installation.

© 2010 Bakker Hydraulic Products B.V.
Nijverheidsweg 6

6662 NG Elst (Gld) Holland

Tel.: +31 481 374757

Fax: +31 481 375280

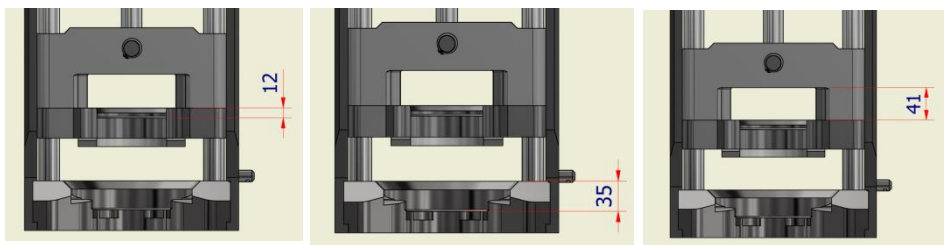
Website: www.bakker-hydraulic.com

E-mail: info@bakker-hydraulic.com

4.4.3 Repairs / replacement of parts

During the warranty period, repairs may only be carried out under the direction of Bakker Hydraulic Products B.V. All replacement parts should comply with the specifications of the original parts.

Wear parts		
Subject	Dimensions ex-works (in mm)	Maximum wear in mm
Opening lifting piece	41	2
Height upper safety ring	12	2
Height lower safety ring	35	2



All parts can be ordered from your Bakker Hydraulic Products B.V. dealer.

A Bill of Materials of spare parts has been added to the drawings.

The GEJO 01 A consists of standard components (commercially available) and specific components (produced just for the GEJO 01 A).

Standard components: It is preferable to use the original manufacture. If in doubt about the specifications: please consult your Bakker Hydraulic Products B.V. dealer.

Specific components: Only replacement parts supplied by Bakker Hydraulic Products B.V. may be used.

WARNING!

Deviation from the above requirements may have consequences for the safety of the GEJO 01 A. In this case, Bakker Hydraulic Products B.V. cannot accept any liability.

When ordering spare parts, please provide the following information:

- The type and serial number of the GEJO 01 A
- The description and the quantity of the required part
- Preferred method of shipment
- The full shipping address
- Order number and contact person for any questions.

4.4.4 Disassembly/Recycling

If the GEJO 01 A is disassembled, the waste disposal regulations in force at the place and time of the disassembly must be observed. Only well known materials are used in

© 2010 Bakker Hydraulic Products B.V.
Nijverheidsweg 6

6662 NG Elst (Gld) Holland

Tel.: +31 481 374757

Fax: +31 481 375280

Website: www.bakker-hydraulic.com





E-mail: info@bakker-hydraulic.com




constructing the GEJO 01 A. At the time of construction waste processing options existed for these and there were no special risks known to the persons responsible for the disassembly and recycling activities. Also see the section 'Environmental Protection' in the Chapter 'Safety'.

4.5 MAINTENANCE OVERVIEW

- After 20 working hours, check all bolted connections and tighten if necessary.

Maintenance Overview GEJO 01 A Lubrication and Maintenance schedule

Activities		Cleaning	Interval ½, 1, 2, 6, 12, 24, 48 → months	
		Inspecting and making adjustments/topping off		If necessary
		Replacing / overhauling		D → Daily
		Lubrication		W → Weekly

Name				Specification of the work activity
GEJO 01 A	?	2	?	Check the entire technical condition of the system, the structure and the paint for damage and dirt.
Rotator	?	1	?	Check for proper operation, damage, dirt and leaks.
Cylinders	?	1	?	Check for proper operation, damage, dirt and leaks.
Hoses	?	D	?	Check for damage, dirt and leaks.
Linear guide	?	1	?	Check the running surface for wear, straightness and/or damage.
Indications	?	1	?	Check the legibility of the warnings on the system. Clean or replace these if they are no long legible.
Quick couplings	?	1	?	Check for proper operation, damage, dirt and leaks.

© 2010 Bakker Hydraulic Products B.V.
Nijverheidsweg 6

6662 NG Elst (Gld) Holland

Tel.: +31 481 374757

Fax: +31 481 375280

Website: www.bakker-hydraulic.com

E-mail: info@bakker-hydraulic.com

5 SPECIFICATIONS

5.1 GEJO 01 A SPECIFICATIONS

5.1.1 Capacities of the GEJO 01 A

Lifting equipment for waste containers with the so-called mushroom discharge principle

Capacity	:	5000 kg
Height	:	1053 mm (exclusive of the rotator)
Width	:	270 mm
Drive	:	Hydraulic
Installation	:	Maximum oil flow 20 l/min

5.1.2 Products to be processed

The purpose of the GEJO 01 A is to unload underground waste containers, which are provided with the so-called mushroom discharge principle. On the top, the containers are equipped with 2 loading legs that slide into each other. Both are fitted with a plate on top. This plate is called the mushroom.

The GEJO 01 A is NOT suitable for clamping and lifting activities other than the work described above.

5.1.3 Consumable items

See the tables in the Chapter 'Maintenance/Repairs' for the appropriate lubricants.

5.1.4 Materials used and design of the GEJO 01 A

Upper lifting piece: Welded steel frame construction.

Lower lifting piece: Welded steel frame construction.

Rubbing strips: Plastic strips attached to the GEJO 01 A with countersunk bolts.

Viewing window: Viewing window of impact resistant Plexiglas mounted on the cover.

Protective cover: Covers from folded steel sheet.

Linear guide: Hard chromed shafts.

Switch for the valve lifter: Cut hardened strip.

5.2 CONNECTION REQUIREMENTS

5.2.1 Hydraulic part

Required power supply: Operating pressure: 200 bar

© 2010 Bakker Hydraulic Products B.V.
Nijverheidsweg 6

6662 NG Elst (Gld) Holland

Tel.: +31 481 374757 Fax: +31 481 375280

Website: www.bakker-hydraulic.com

E-mail: info@bakker-hydraulic.com

5.3 PHYSICAL CONDITIONS OF USE

Ambient temperature: -15 to +35 degrees Celsius

During transport/storage: -25 to +55 degrees Celsius

Wind force: Max. wind force 7

Relative humidity (RH): 30% to 95%, non-condensing

Lighting: Normal ambient lighting. The GEJO 01 A is not equipped with lighting.

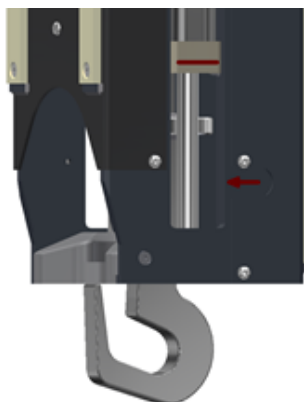
As part of the installation, the GEJO 01 A is not suitable and designed for use in areas with an explosion hazard.

5.4 APPLICABLE GUIDELINES AND STANDARDS

On the 2B certificate, it is indicated according to which European directives and standards this GEJO 01 A was built.

6 USE OF THE HOISTING HOOK

Before using the hoisting hook please check whether the discs are well placed in the GEJO and if the hook is well secured with the locking pin. When you hoist please do so until the point of the hook is on the same level as the bottom plate. In this way the load cannot fall out of the hook.



© 2010 Bakker Hydraulic Products B.V.
Nijverheidsweg 6

6662 NG Elst (Gld) Holland

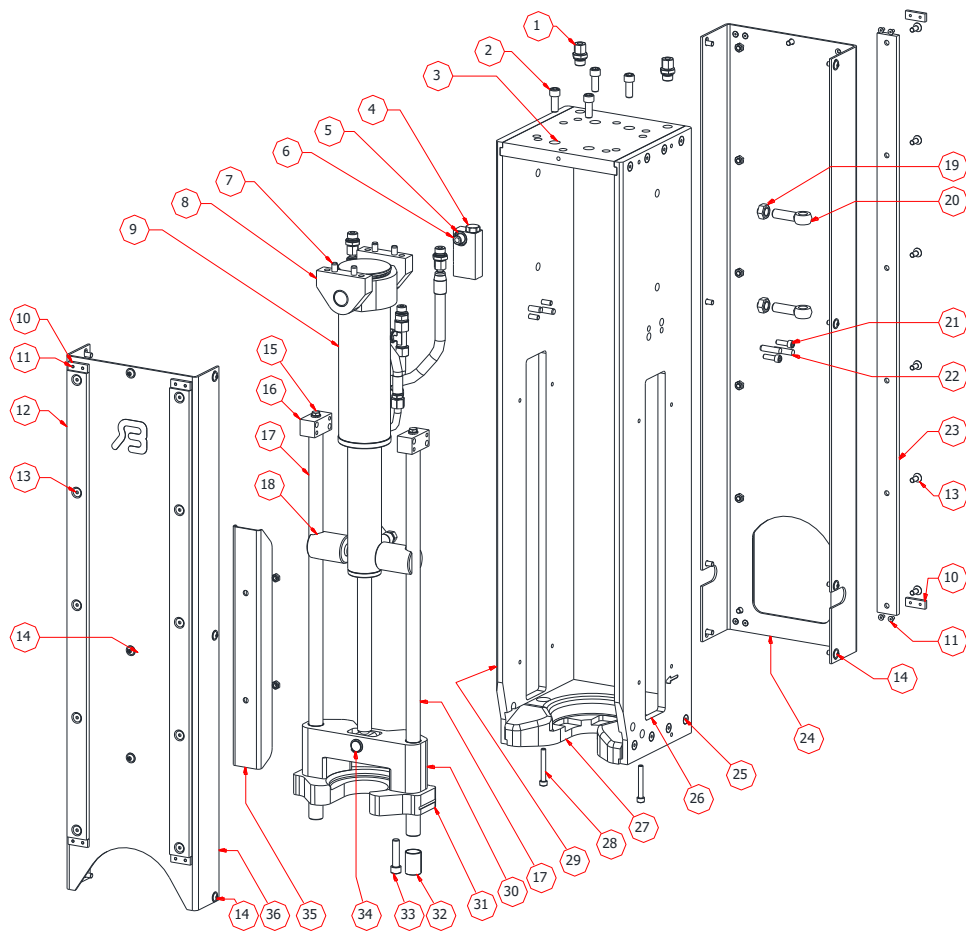
Tel.: +31 481 374757

Fax: +31 481 375280

Website: www.bakker-hydraulic.com

E-mail: info@bakker-hydraulic.com

Without lubrication	Tightening torque
M 5 8.8	5 Nm
M 6 8.8	8 Nm
M 8 8.8	19 Nm
M 8 10.9	37 Nm
M 12 8.8	65 Nm
M 16 8.8	162 Nm



© 2010 Bakker Hydraulic Products B.V.
 Nijverheidsweg 6

6662 NG Elst (Gld) Holland

Tel.: +31 481 374757

Fax: +31 481 375280

Website: www.bakker-hydraulic.com

E-mail: info@bakker-hydraulic.com

PARTS LIST

17

Pos	Item number	Quantity	Description
1	31001032	6	Nipple
2	31001055	4	Bolt
3	75010	1	Top plate
4	31001023	1	Non-return valve
5	31001025	2	Seal ring
6	31001020	1	Banjo bolt
7	31001045	4	Dowel pin
8	31002004	2	Mounting eye cylinder
9	31002068	1	Telescopic cylinder
10	75014	8	Locking plate
11	75004	16	Bolt
12	31002008	2	Rubbing strip
13	75003	22	Bolt
14	75007	18	Bolt
15	31000025	2	Bolt
16	31001011	2	Support lifting piece
17	31001012	2	Guide shaft
18	31002025	2	Guide
19	9296	2	Nut
20	75020	2	Eye bolt
21	31001040	4	Bolt
22	31001043	4	Dowel pin
23	31002010	2	Rubbing strip
24	75013	1	Protective cover back side
25	75003	38	Bolt
26	75018	1	Side plate right
27	75255	1	Plate (fixed)
28	75006	2	Bolt
29	75017	1	Side plate left
30	75016	1	Lifting piece housing
31	75015	1	Lifting plate
32	75009	4	Bushing
33	75008	4	Bolt
34	31001005	1	Pin
35	75019	1	Fall protection
36	75012	1	Protective cover front side

© 2010 Bakker Hydraulic Products B.V.
Nijverheidsweg 6

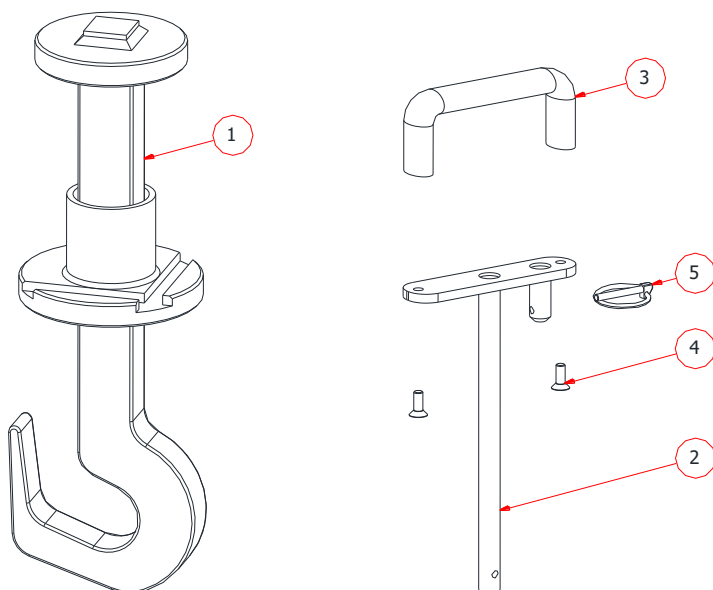
6662 NG Elst (Gld) Holland

Tel.: +31 481 374757

Fax: +31 481 375280

Website: www.bakker-hydraulic.com

E-mail: info@bakker-hydraulic.com



Pos	Item number	Quantity	Description
1	75022	1	Hook
2	75023	1	Security pin
3	75024	1	Handle
4	7674	2	Bolt
5	75040	1	Circlip

© 2010 Bakker Hydraulic Products B.V.
Nijverheidsweg 6

6662 NG Elst (Gld) Holland

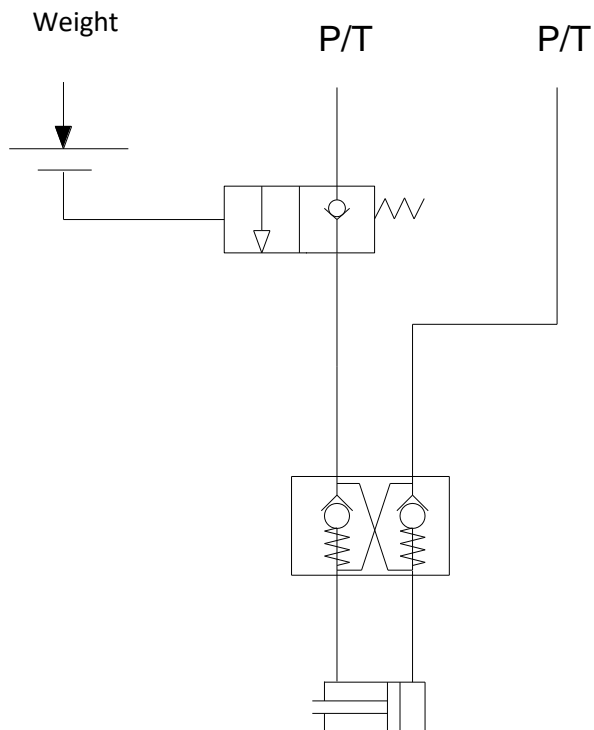
Tel.: +31 481 374757

Fax: +31 481 375280

Website: www.bakker-hydraulic.com

E-mail: info@bakker-hydraulic.com

Hydraulic diagram GEJO 01 A



© 2010 Bakker Hydraulic Products B.V.
Nijverheidsweg 6

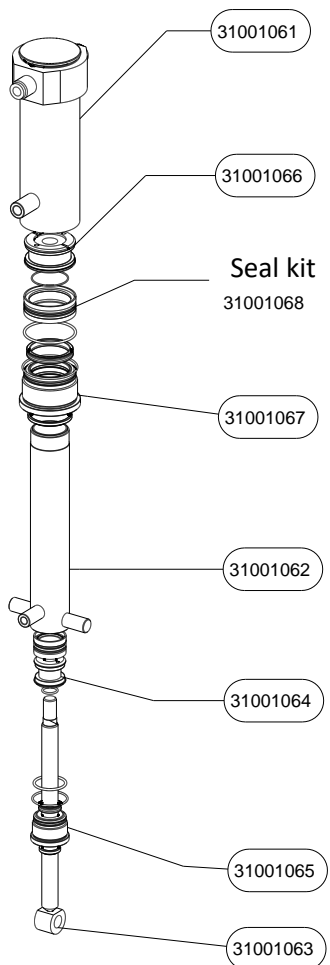
6662 NG Elst (Gld) Holland

Tel.: +31 481 374757

Fax: +31 481 375280

Website: www.bakker-hydraulic.com

E-mail: info@bakker-hydraulic.com



Item number	Quantity	Description
31001061	1	Jacket
31001062	1	Inner tube
31001063	1	Piston rod
31001064	1	Piston
31001065	1	Cylinder head
31001066	1	Piston
31001067	1	Cylinder head
31001068	1	Seal kit

© 2010 Bakker Hydraulic Products B.V.
 Nijverheidsweg 6

6662 NG Elst (Gld) Holland

Tel.: +31 481 374757 Fax: +31 481 375280

Website: www.bakker-hydraulic.com

E-mail: info@bakker-hydraulic.com