

TECHNICAL DATA :

Grab type : BDV-2017

Width : 65 cm 90 cm 120 cm
 80 cm 100 cm

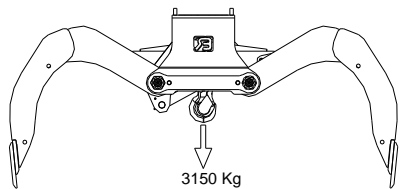
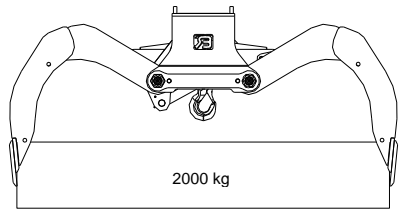
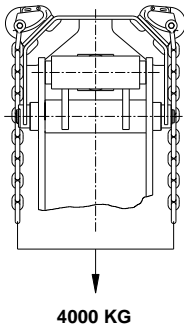
Capacity : 300 L 450 L 600 L
 400 L 500 L

Weight : 340 kg 415 kg 505 kg
 385 kg 545 kg

Max. working pressure : 200 Bar

Press strength : 30 kN

Max. hoisting load:



Maximum oil flow in non-return valve: 40 L./min.

© 2010 Bakker Hydraulic Products B.V.
Nijverheidsweg 6

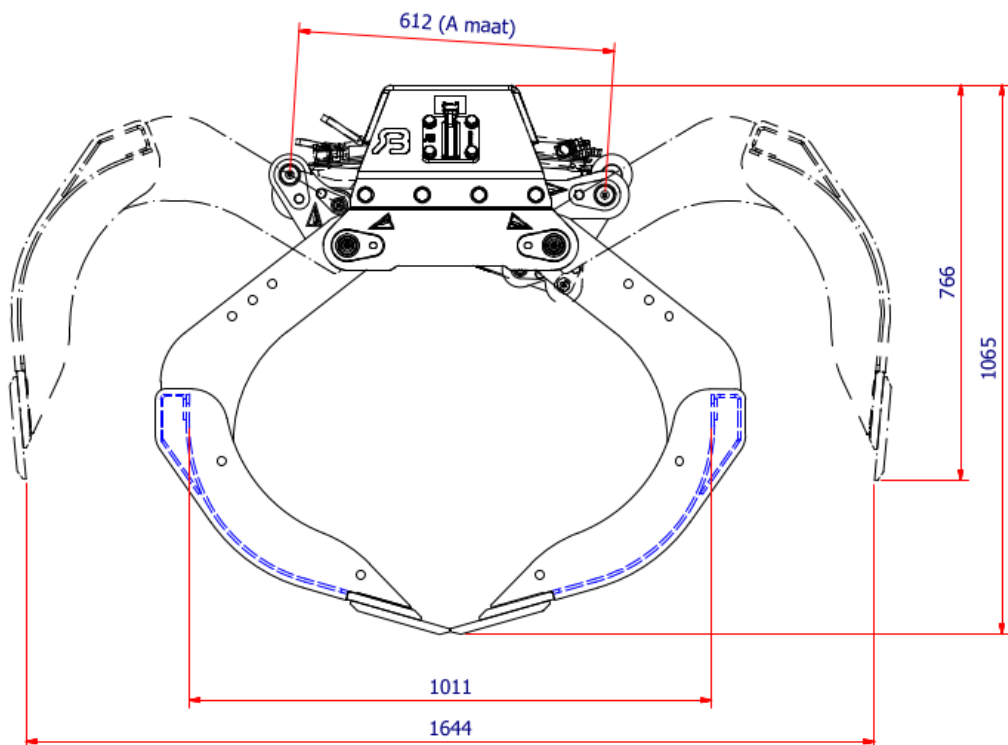
6662 NG Elst (Gld) The Netherlands

Tel : + 31 481 374757

Fax : + 31 481 375280

Site : www.bakker-hydraulic.com

E-mail : info@bakker-hydraulic.com



© 2010 Bakker Hydraulic Products B.V.
Nijverheidsweg 6

6662 NG Elst (Gld) The Netherlands

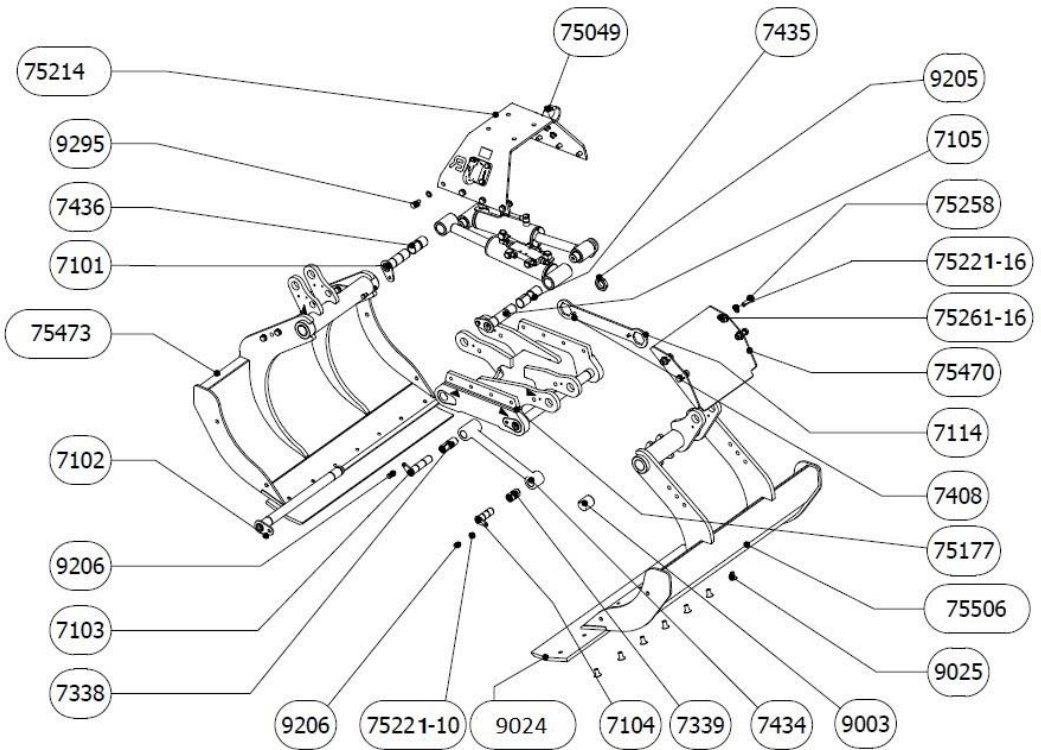
Tel : + 31 481 374757

Fax : + 31 481 375280

Site : www.bakker-hydraulic.com

E-mail : info@bakker-hydraulic.com

BDV-2017



© 2010 Bakker Hydraulic Products B.V.
Nijverheidsweg 6

6662 NG Elst (Gld) The Netherlands

Tel : + 31 481 374757

Fax : + 31 481 375280

Site : www.bakker-hydraulic.com

E-mail : info@bakker-hydraulic.com

PART NUMBER	QUANTITY	SPECIFICATION
7101	2	PIN
7102	2	SHAFT
7103	1	PIN
7104	1	PIN
7105	2	PIN
7114	1	LOCKING SPANNER
7338	2	SLIDE BEARING
7339	2	SLIDE BEARING
7408	8	BOLT
7434	1	STEADY LINK
7435	4	SLEEVE BEARING
7436	4	SLEEVE BEARING
9003	4	SPLIT BUSH
9024	2	BLADE
9025	see chart	BOLT
9205	2	NUT
9206	8	BOLT
9295	8	BOLT
75049	2	HOISTING HOOK
75177	1	FRAME
75214	1	SADDLE PLATE
75220-10	6	LOCKING WASHER
75220-16	16	LOCKING WASHER
75258	8	BOLT
75261-16	8	LOCKING NUT
75211	1	CLAMSHELL
75212	1	CLAMSHELL
1919007	2	CYLINDER

Grab type:	BDV-65	BDV-80	BDV-90	BDV-100	BDV-120
Number of bolts 9025	10	10	14	14	18

© 2010 Bakker Hydraulic Products B.V.
Nijverheidsweg 6

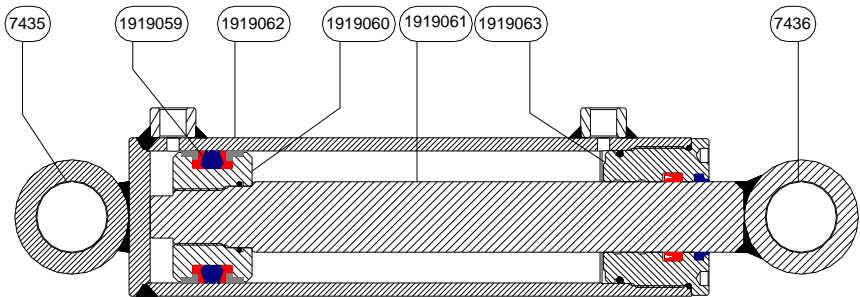
6662 NG Elst (Gld) The Netherlands

Tel : + 31 481 374757

Fax : + 31 481 375280

Site : www.bakker-hydraulic.com

E-mail : info@bakker-hydraulic.com



7435	SLEEVE BEARING
7436	SLEEVE BEARING
1919007	CYLINDER
1919059	CYLINDER SEALS
1919060	PISTON
1919061	PISTON ROD
1919062	CYLINDER CASING
1919063	HEAD BUSH

© 2010 Bakker Hydraulic Products B.V.
Nijverheidsweg 6

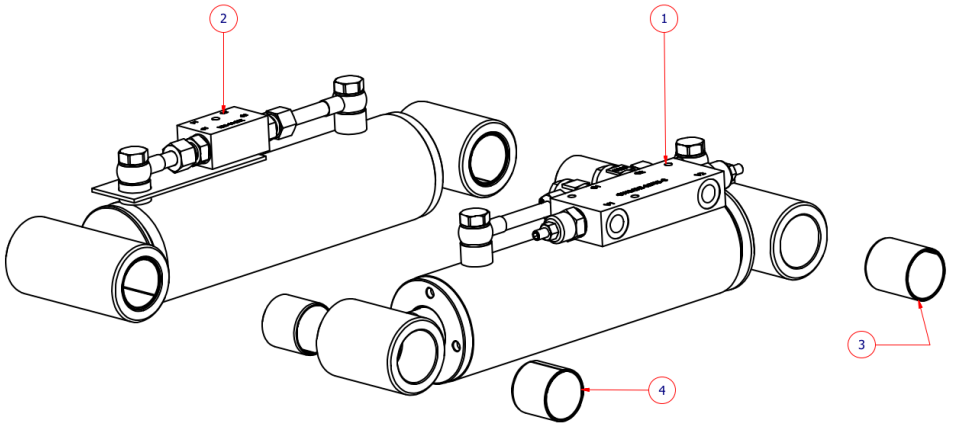
6662 NG Elst (Gld) The Netherlands

Tel : + 31 481 374757

Fax : + 31 481 375280

Site : www.bakker-hydraulic.com

E-mail : info@bakker-hydraulic.com



POS	PART NUMBER	SPECIFICATION
1	1919207	BRAKE VALVE COMPLETE SET
2	3100001	NON-RETURN VALVE COMPLETE SET
3	7436	SLEEVE BEARING
4	7435	SLEEVE BEARING

© 2010 Bakker Hydraulic Products B.V.
 Nijverheidsweg 6

6662 NG Elst (Gld) The Netherlands

Tel : + 31 481 374757

Fax : + 31 481 375280

Site : www.bakker-hydraulic.com

E-mail : info@bakker-hydraulic.com