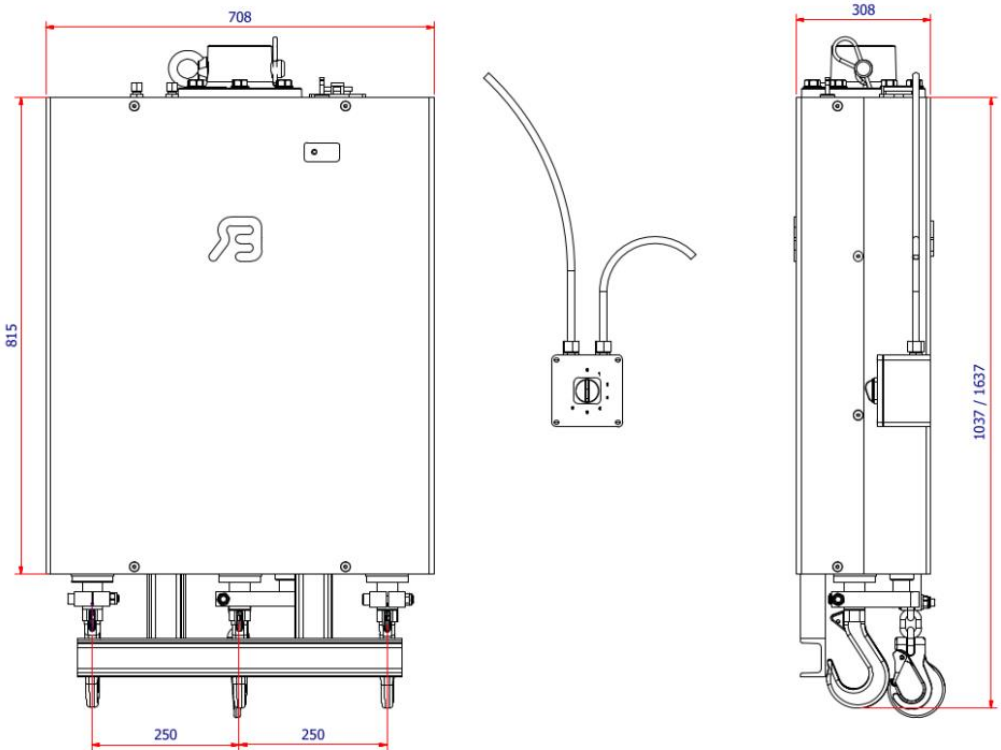


TECHNICAL DATA:

Type of hook grab	: GEJO 10 E
Height adjustment	: 600 mm
Weight	: 215 Kg
Maximum working pressure	: 220 Bar
Maximum load	: 3000 kg
Maximum oil flow	: 20 l/min
Electrical connection	: 24 volt DC



© 2010 Bakker Hydraulic Products B.V.
Nijverheidsweg 6

6662 NG Elst (Gld) The Netherlands

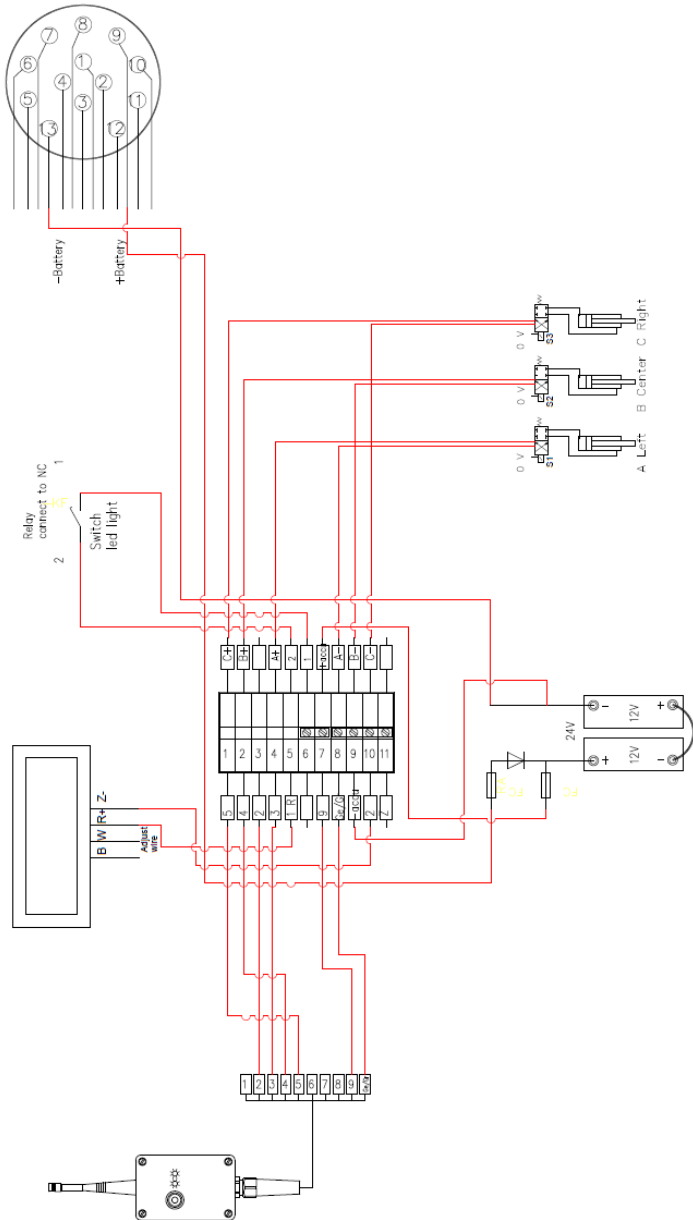
Tel : + 31 481 374757

Fax : + 31 481 375280

Site : www.bakker-hydraulic.com

E-mail : info@bakker-hydraulic.com

Electrical diagram



© 2010 Bakker Hydraulic Products B.V.
Nijverheidsweg 6

6662 NG Elst (Gld) The Netherlands

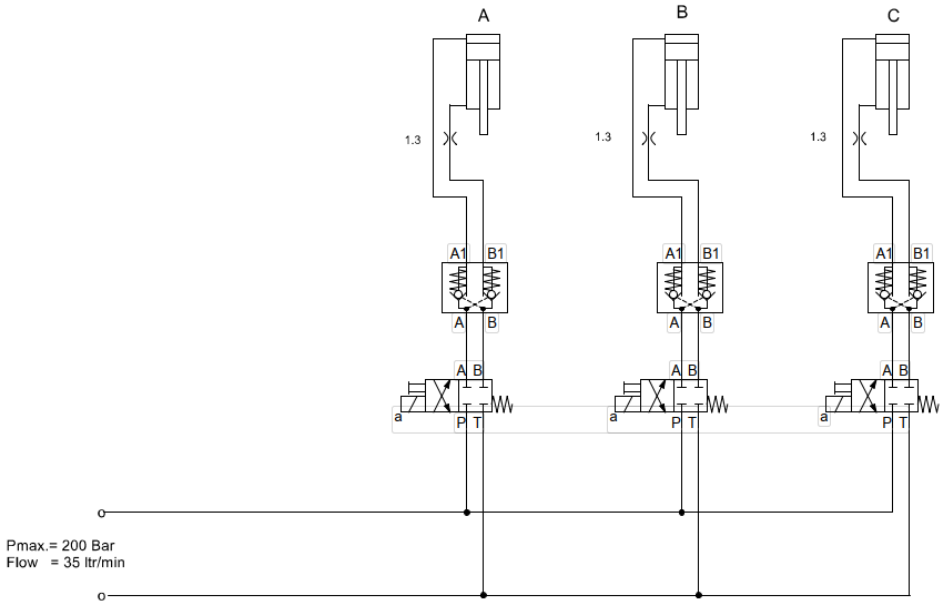
Tel : + 31 481 374757

Fax : + 31 481 375280

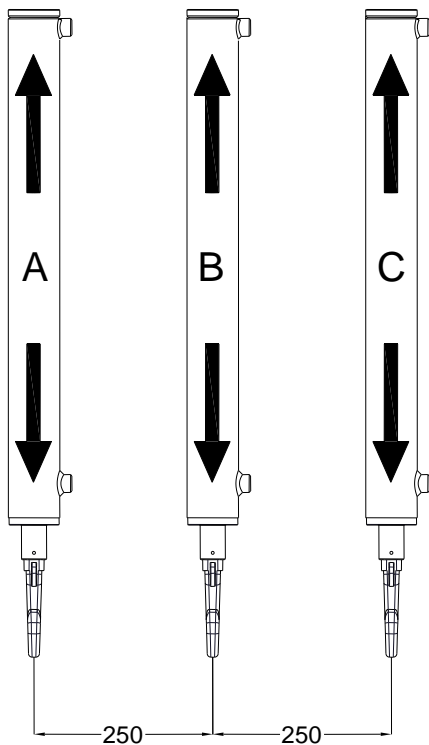
Site : www.bakker-hydraulic.com

E-mail : info@bakker-hydraulic.com

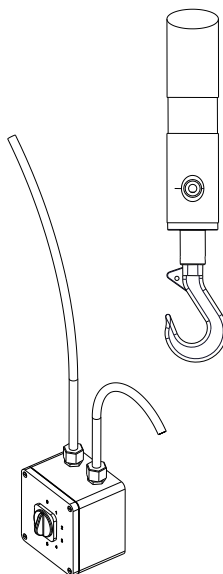
Hydraulic diagram



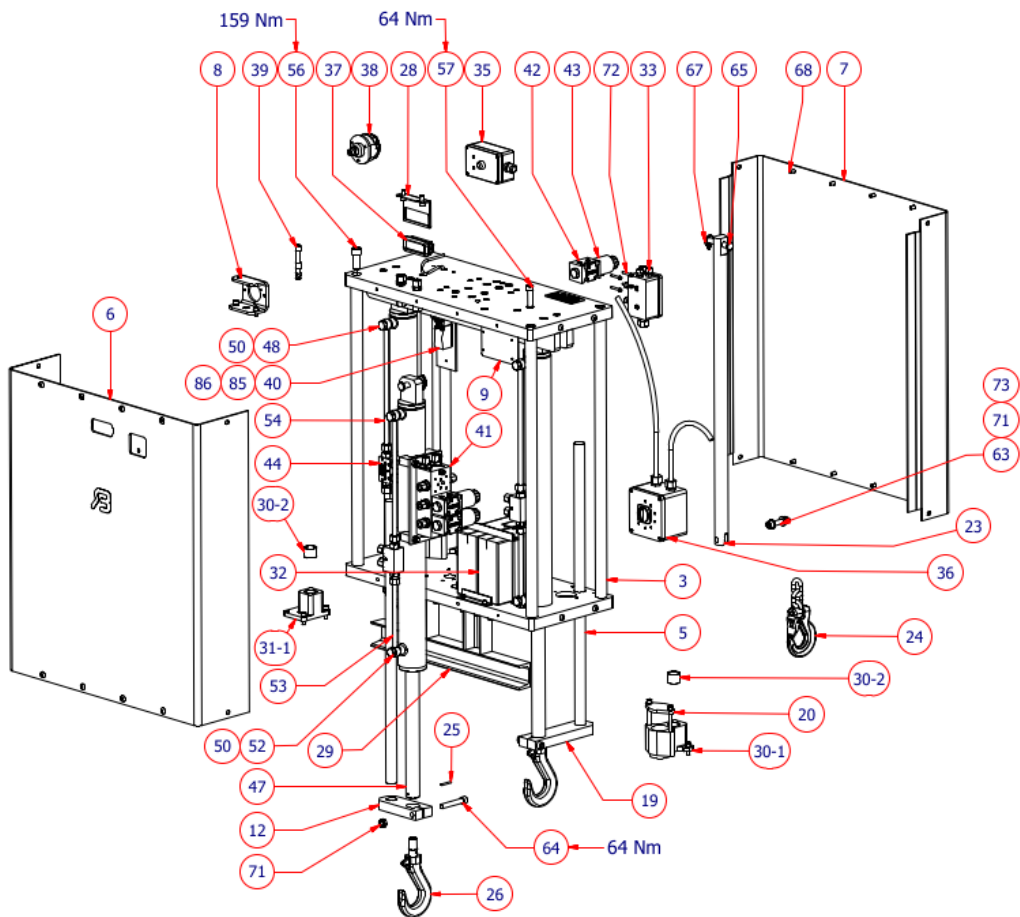
GEJO-10



Switch position	Cylinder
1	B
2	A+C
3	A+B+C
4	A
5	C



Control overview



© 2010 Bakker Hydraulic Products B.V.
Nijverheidsweg 6

6662 NG Elst (Gld) The Netherlands

Tel : + 31 481 374757

Fax : + 31 481 375280

Site : www.bakker-hydraulic.com

E-mail : info@bakker-hydraulic.com

Pos	Part number	Specification	Quantity
3	200.422.00	Assembly bar	3
5	200.435.00	Guide rod	3
6	200.444.00	Protecting hood front side	1
7	200.445.00	Protecting hood rear side	1
8	200.712.00	Support	1
9	200.713.03	Mounting plate receiver	1
12	200.755.01	Clamping plate	1
19	200.755.00	Clamping plate	2
20	200.438.00	Blind flange	2
23	9515	Pull rod	1
24	9462	Hook	1
25	9506	Roll pin	3
26	9477	Hoisting hook	3
28	75287-01	Support	1
29	400.205.00	Hook safety	1
30-1	200.436.00	Support	2
30-2	200.437.00	Sleeve bearing	6
31-1	200.436.01	Support	1
32	7182	Battery	2
33	7209	Junction box	1
34	9482K	Plug+led+diode+cable	1
35	75717	Receiver	1
36	9518	Connection set 6 step switch	1

© 2010 Bakker Hydraulic Products B.V.
Nijverheidsweg 6

6662 NG Elst (Gld) The Netherlands

Tel : + 31 481 374757

Fax : + 31 481 375280

Site : www.bakker-hydraulic.com

E-mail : info@bakker-hydraulic.com

Pos	Part number	Specification	Quantity
37	75288	Led flash	1
38	75361	Electric socket 13-poles	1
39	75727AL	Antenna BNC	1
40	75308	Limit switch	1
42	9504-24V	Valve 24 Volt	3
43	9505	Spool 24 Volt	3
44	3100001	Pilot operated check valve	3
48	31001020	Banjo bolt 3/8"	3
49	9438A	Cylinder	3
50	7144	Sealing ring 3/8"	12
52	75549	Banjo bolt 3/8" throttle	3
53	800.028.01	Banjo pipe L=200	3
54	800.028.03	Banjo pipe L=400	3
56	75176	Allen screw	8
57	9418	Allen screw	12
64	9507	Allen screw	3
65	75577	Clevis pin	4
67	75578	Rübig safety linchpin	4
68	75619	Round head bolt	24
71	9433	Locking nut	4
72	9527	Alen screw	15
73	9428	Washer	2
85	75327	Washer	2

© 2010 Bakker Hydraulic Products B.V.
Nijverheidsweg 6

6662 NG Elst (Gld) The Netherlands

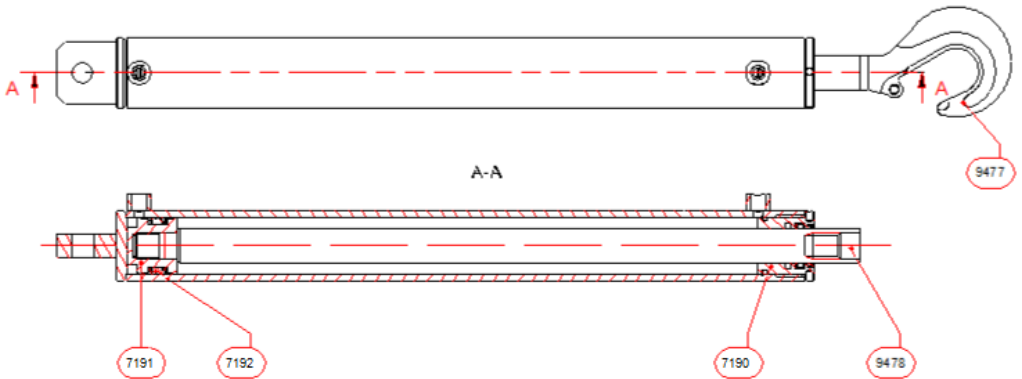
Tel : + 31 481 374757

Fax : + 31 481 375280

Site : www.bakker-hydraulic.com

E-mail : info@bakker-hydraulic.com

Cylinder 9438A



No.	Specification	Quantity
7190	Head bush	1
7191	Piston	1
7192	Cylinder seals	1
9477	Hoisting hook	1
9478	Piston rod	1