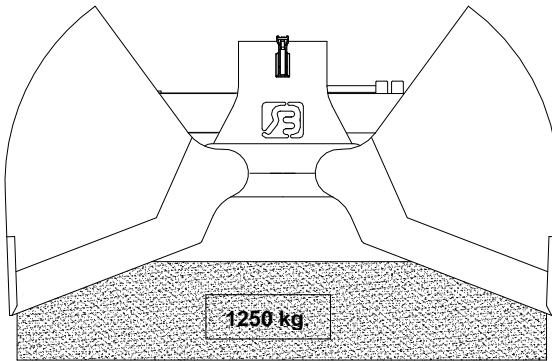
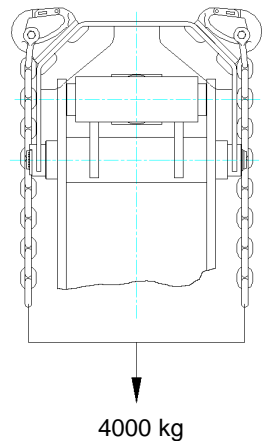


TECHNICAL DATA:

Grab type	:	KS
Width	:	<input type="checkbox"/> 55 cm <input type="checkbox"/> 80 cm <input type="checkbox"/> 100 cm <input type="checkbox"/> 65 cm <input type="checkbox"/> 90 cm <input type="checkbox"/> 120 cm
Capacity	:	<input type="checkbox"/> 300 Ltr <input type="checkbox"/> 430 Ltr <input type="checkbox"/> 540 Ltr <input type="checkbox"/> 350 Ltr <input type="checkbox"/> 490 Ltr <input type="checkbox"/> 650 Ltr
Weight	:	<input type="checkbox"/> 270 kg <input type="checkbox"/> 305 kg <input type="checkbox"/> 340 kg <input type="checkbox"/> 285 kg <input type="checkbox"/> 320 kg <input type="checkbox"/> 380 kg
Max. working pressure	:	250 Bar
Press strength	:	30 kN.
Maximum hoisting load	:	1.25 Ton *



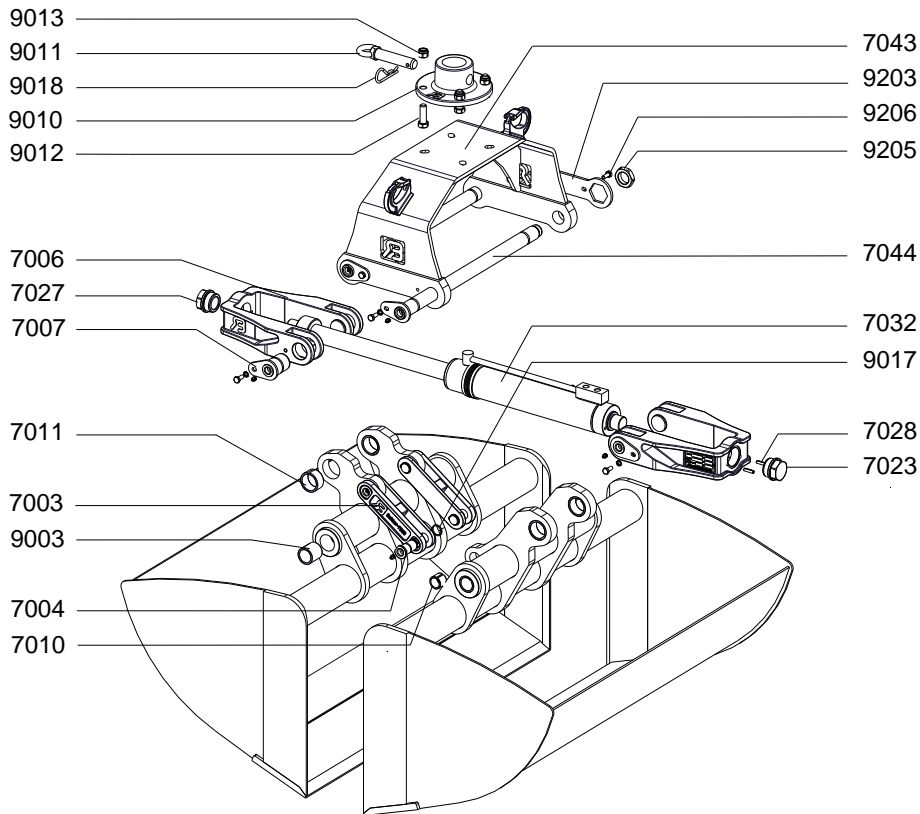
* Only when a non-return valve is being used



Bakker hydraulic products b.v.
 Nijverheidsweg 6
 6662 NG Elst The Netherlands
 Telephone: + 31 481-374757
 Telefax: + 31 481-375280



KS 90-100-120



PART NR.	QUANTITY	SPECIFICATION
KS-7003	2	STEADY LINK
KS-7004	4	PIN
KS-7006	2	YOKE
KS-7007	4	PIN
KS-7010	4	SPLIT BUSH
KS-7011	4	SPLIT BUSH
KS-7023	1	NUT
KS-7027	1	NUT
KS-7028	2	ROLL PIN
KS-7032	1	CYLINDER
KS-7043	1	SADDLE PLATE
KS-7044	2	SHAFT
KS-9003	4	SPLIT BUSH
KS-9010	1	SUSPENSION PLATE
KS-9011	1	SUSPENSION PIN
KS-9012	4	BOLT
KS-9013	4	NUT
KS-9017	4	CIRCLIP Ø 30 MM
KS-9018	1	HAIRPIN SPRING
KS-9203	1	LOCKING SPANNER
KS-9205	2	NUT
KS-9206	4	BOLT