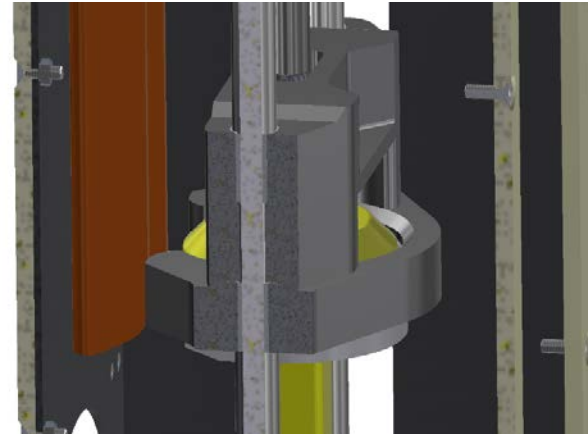


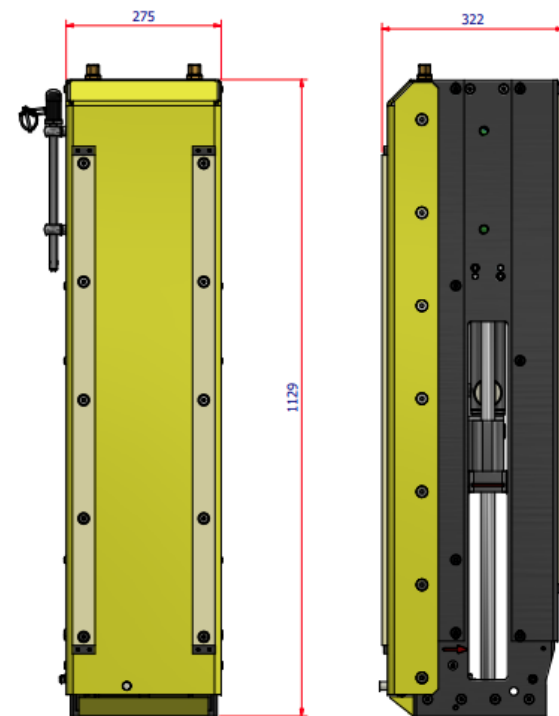
### During transport

HMPE strips are fitted to the outside of the GEJO 01. This allows the GEJO 01 to be laid flat during transport without damaging the housing of the GEJO 01.



### Extra security

A steel U-iron has been mounted on the inside of the GEJO 01, which protects the upper disc from falling.



Type	GEJO 01 BL
Weight	160 kg
Safe working load	5000 kg
Working pressure	200 bar

Subject to modifications.

# GEJO 01

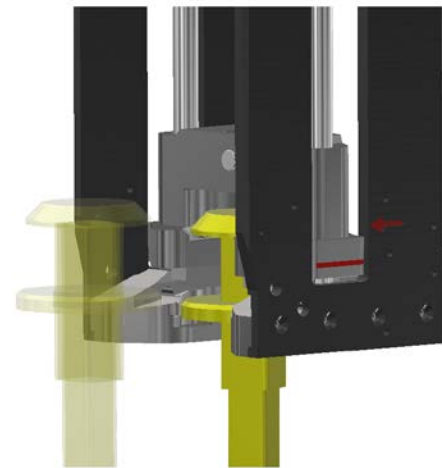
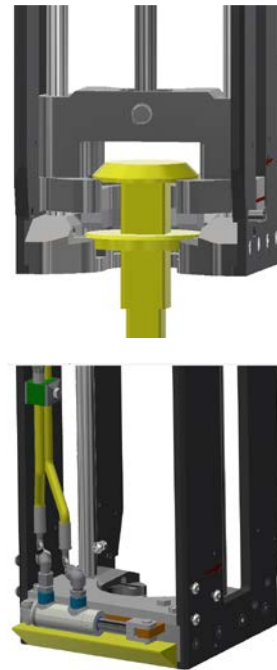
CONTAINER DISCHARGE UNIT  
MUSHROOM SYSTEM



**LOW MAINTENANCE COSTS**  
**LESS PROBLEMS DUE TO SIDE HOOK-UP**  
**EASY TO MAINTAIN**

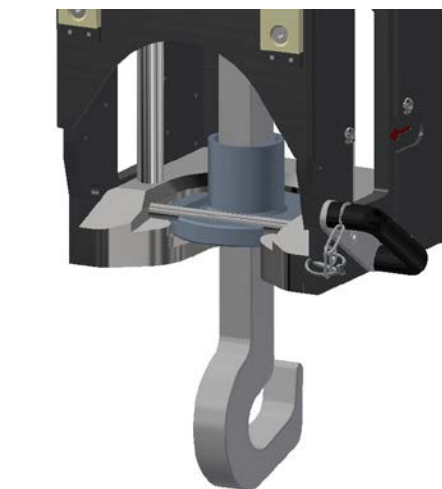
**Extra safety**

The moment the bottom of the container is opened, the lower disc is blocked by the top nesting plate. That way the container will be secured from falling down. A locking plate that automatically slides above the lower disc provides double protection against falling.



**The coupling**

To hook up the container, the mushroom-shaped knob (yellow) must be approached from the side. When the red line on the side is in line with the red arrow, the container can be lifted and the cylinder will retract to keep the container closed.

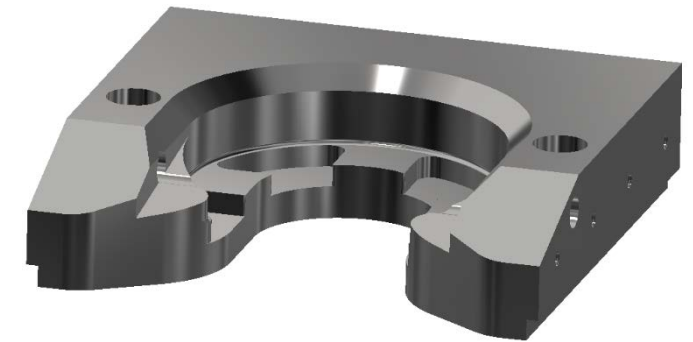


**Extra hoisting hook**

As an option it is possible to fit the GEJO 01 with a lifting hook, which can be used to lift other objects. As a standard the GEJO 01 is equipped with a pin to provide this hook from falling.

**Nesting plate**

The GEJO 01 is a unique attachment for emptying environmental containers with a mushroom system. The nesting plate for the container mushroom shaped knob is manufactured in one piece.

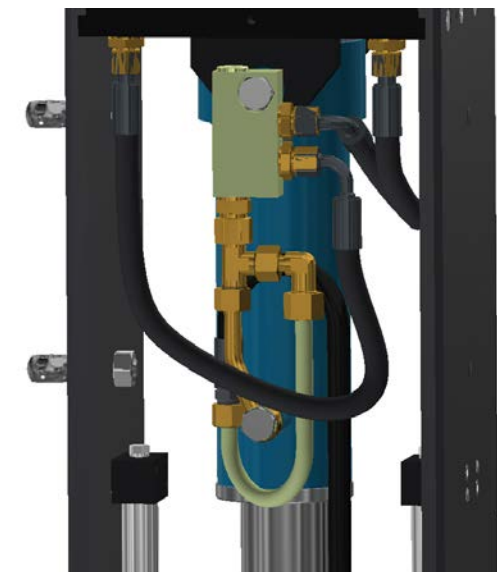


**Strong cylinder**

The GEJO 01 is equipped with a very strong telescopic cylinder, which gives the GEJO 01 a lifting capacity of 5000 kg. The highest capacity for these types of systems in the market.

**Safety**

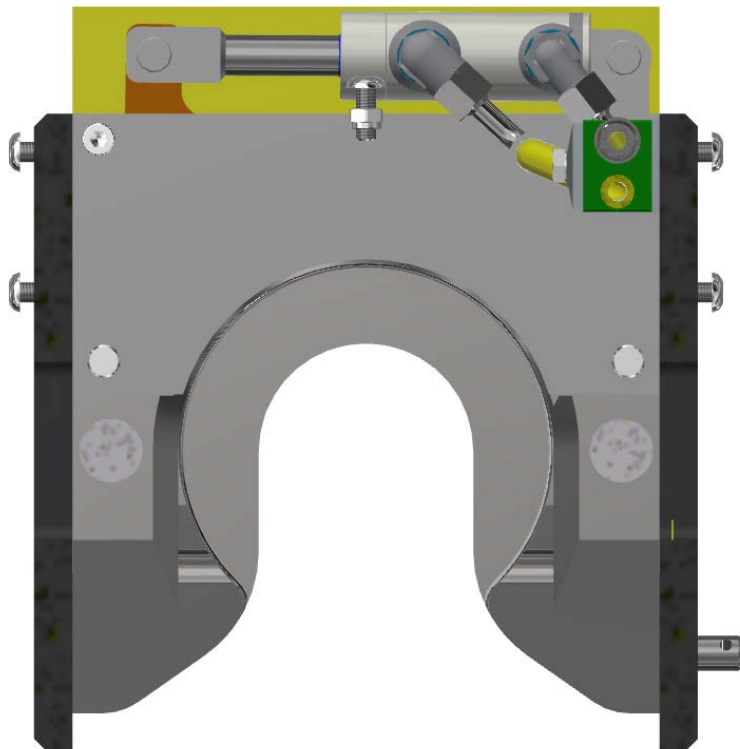
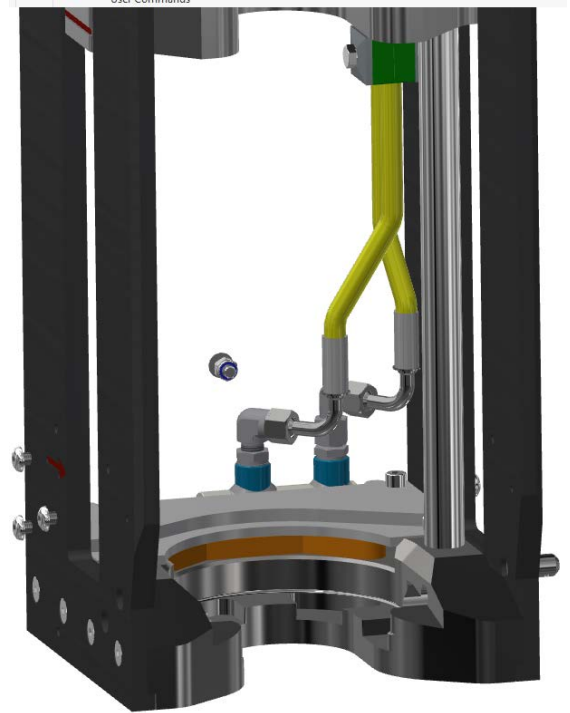
The design of the GEJO 01 meets the highest safety standards currently applicable. The GEJO 01 is standard equipped with a controlled non-return valve, which prevents the bottom of the container from opening without the driver giving a signal.



EXTRA OPTION

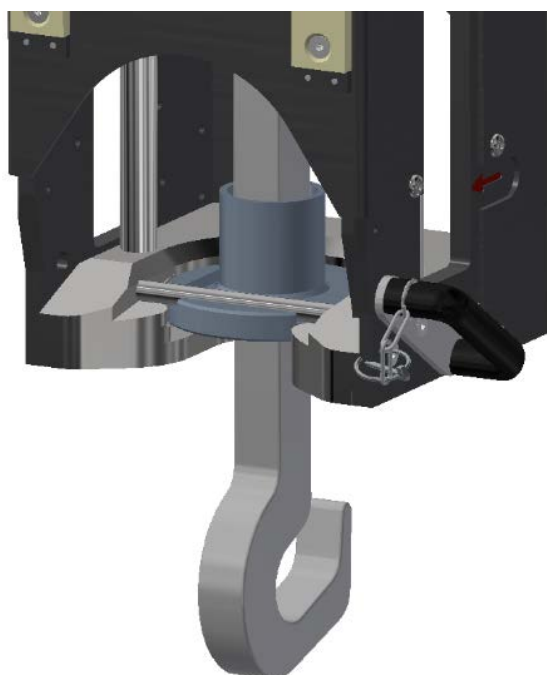
## OPTIONAL HARDOX SLIDE

(For easy handling of containers with bended rods)



## On the Z-crane

As an option, a connection kit for a Z-crane is available that allows for safe and secure storage of the GEJO 01 during transportation.



## Extra lifting hook

As an option it is possible to fit the GEJO 01 with a lifting hook, which can be used to lift other objects. As a standard the GEJO 01 is equipped with a pin to provide this hook from falling out.