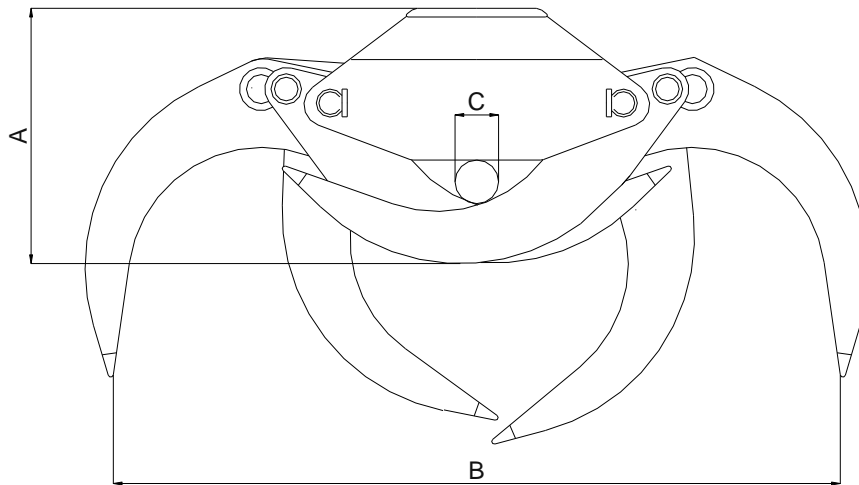




Credox log grapples (standard)



- Construction according CE

Type	A mm	B mm	C mm	Capacity m <sup>2</sup>	Width mm	Weight kg	Working pressure bar	Capacity kg
Credox 08	295	690	15	0,08	160	25	200	300
Credox 12	305	740	30	0,12	235	44	200	600
Credox 16	405	925	40	0,16	260	50	200	1000
Credox 19	450	1070	40	0,18	270	75	200	1200
Credox 23	470	1290	50	0,23	370	120	200	1500
Credox 28	530	1540	60	0,3	396	200	250	3000
Credox 35	590	1900	70	0,38	460	285	250	3500
Credox 42	675	1900	90	0,5	470	345	250	5000
Credox 55	790	2450	90	0,7	500	530	250	7000
Credox 80	890	2790	170	0,8	565	555	250	8000

